



PARTS BOOK

Version:V1

www.ricoma.us www.ricoma.cn

C Series Parts Catalogue

Applicable: CT, CHT, CTS, Standard

Version V1

Contents

Foreword.....	3
21010V1-C Housing and Rack.....	4
21011V1-CTS Housing and Rack.....	6
21020V1 Main Drive System.....	10
21021V1-CTS Main Drive System.....	12
21030V1- Rotary Hook Arm.....	16
21040V1 Color-Change System -12.....	20
21041V1 – Stepping Motor 57, 42 Color Change.....	22
21050V1-Arm – Single Drive.....	24
21051V1- Arm – Double Drive – Table I Shaft.....	28
21060V1- Low-Speed Needle Bar Case.....	32
21061V1- High Speed Needle Bar Case.....	36
21070V1- Hook-Line - Narrow Arm.....	40
21071V1- Spindle Hook-Line - Wide Arm.....	42
21080V1 Spindle Hook-Line Drive.....	44
21090V1- Trimming System - 57.....	46
21100V1-C X-axis Drive System.....	48

21101V1-CTS X-axis Drive System Fig. II.....	52
21110V1-Y-axis Side Drive System.....	56
21120V1-C Y-axis Middle Drive System.....	58
21121V1-CTS Y-axis Drive System.....	60
21123V1- Y-axis Drive System.....	64
21130V1-C Table.....	66
21131V1-CTS Table.....	68
21140V1- Thread Tension Base – Wheel + Spring.....	70
21141V1- Thread Tension Base – Wheel.....	72
21150V1- Thread Stand.....	76
21160V1- Flat Frame.....	78
21170V1- Clothing Frame.....	80
21180V1- Cap Frame-Cap Driver.....	82
21190V1- Cap Ring.....	84
21200V1- Electrical Part.....	86

Foreword

Dear customer, this parts list is only used as reference for purchase of parts in case of maintenance. The parts are in constant update due to the continuous development of new products, improving new technologies and product performance, therefore this parts list cannot serve as any legal basis. Please confirm whether this parts list is consistent with your parts before choosing the parts. Any parts purchased should be installed by professionals following the operation, repair and maintenance instructions of relevant machine. We bear no any responsibility for the quality problems caused by improper installation or failure to regularly maintain the equipment.

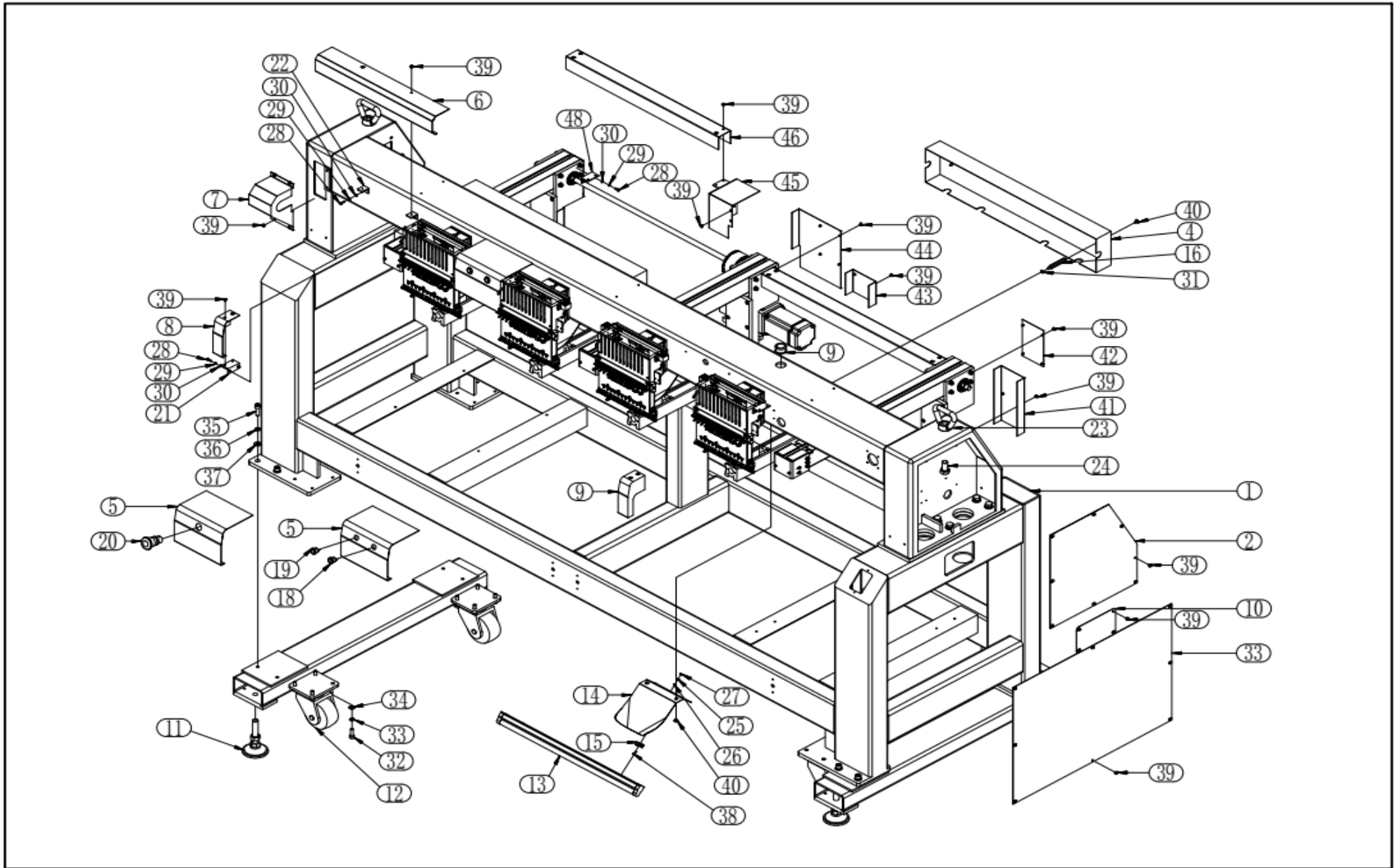
This parts list contains parts of all models of “C” series of the company, and the “c” series has many models, so when purchasing the parts, it’s essential to have the factory serial number (on nameplate) in addition to part number if the part number has “*”, which is convenient for the after-sales service employees to check the specific configuration of the machine and send the required parts exactly.

We reserve all the right for the interpretation of this parts list.

21010V1-C Housing and Rack

Drawing No.	Ref. No.	Part Name / Specification	Part No.		Drawing No.	Ref. No.	Part Name / Specification	Part No.
21010V1	1	Complete Machine Rack	210101****		21010V1	25	Spring Washer M3 - Nickel Plated	80900318
21010V1	2	Upper Rack Cover Plate	027003**		21010V1	26	Washer M3 - Nickel Plated	80900308
21010V1	4	Arm Plate Cover	027041**		21010V1	27	Nut –M3 - Nickel Plated	80900328
21010V1	5	Arm Cover	012271**		21010V1	28	Hex Socket Cap Screw M3x10 – Stainless Steel	80813410
21010V1	6	Upper Axis Housing	027021**		21010V1	29	Spring Washer M3 - Nickel Plated	80900418
21010V1	7	Upper Bearing Seat Housing	027021**		21010V1	30	Washer M3 - Nickel Plated	80900403
21010V1	8	Arm Housing	012271**		21010V1	31	Washer M6 - Black	80900613
21010V1	9	Arm Housing	012271**		21010V1	32	Hex Socket Cap Screw M8x25 – Stainless Steel	80813825
21010V1	11	Bracket	802760**		21010V1	33	Spring Washer M8 - Nickel Plated	80900818
21010V1	12	Truckle	8027**01		21010V1	34	Washer M8 - Nickel Plated	80900801
21010V1	13	LED Lamp	802401**		21010V1	35	Hex Socket Cap Screw M10x30 - Stainless Steel	80814030
21010V1	14	Stainless Steel Baffle Plate	02812101		21010V1	36	Spring Washer M10- Nickel Plated	80901018
21010V1	15	Daylight Lamp Clamp – T5	80240110		21010V1	37	Washer M10- Nickel Plated	80901002
21010V1	16	Pillar Bolt – Black M6x12-L69xm5	80920408		21010V1	38	Flange Philip’s Head Screw M3X8 - Nickel Plated	80742308
21010V1	17	Threading Jacket 29-23-20	80221001		21010V1	39	Philip’s Head Screw M4x6 - Nickel Plated	80746406
21010V1	18	Button – Greenφ16	80350102		21010V1	40	Philip’s Head Screw M5x8 - Nickel Plated	80746508
21010V1	19	Button – Redφ16	80350101					
21010V1	20	Emergency Switch	80233111					
21010V1	21	Housing Mounting Bracket	01227182					
21010V1	22	Upper Axis Cover Bracket	02702105					
21010V1	23	Triangle Hook	809201**					
21010V1	24	Outside Hex Screw						

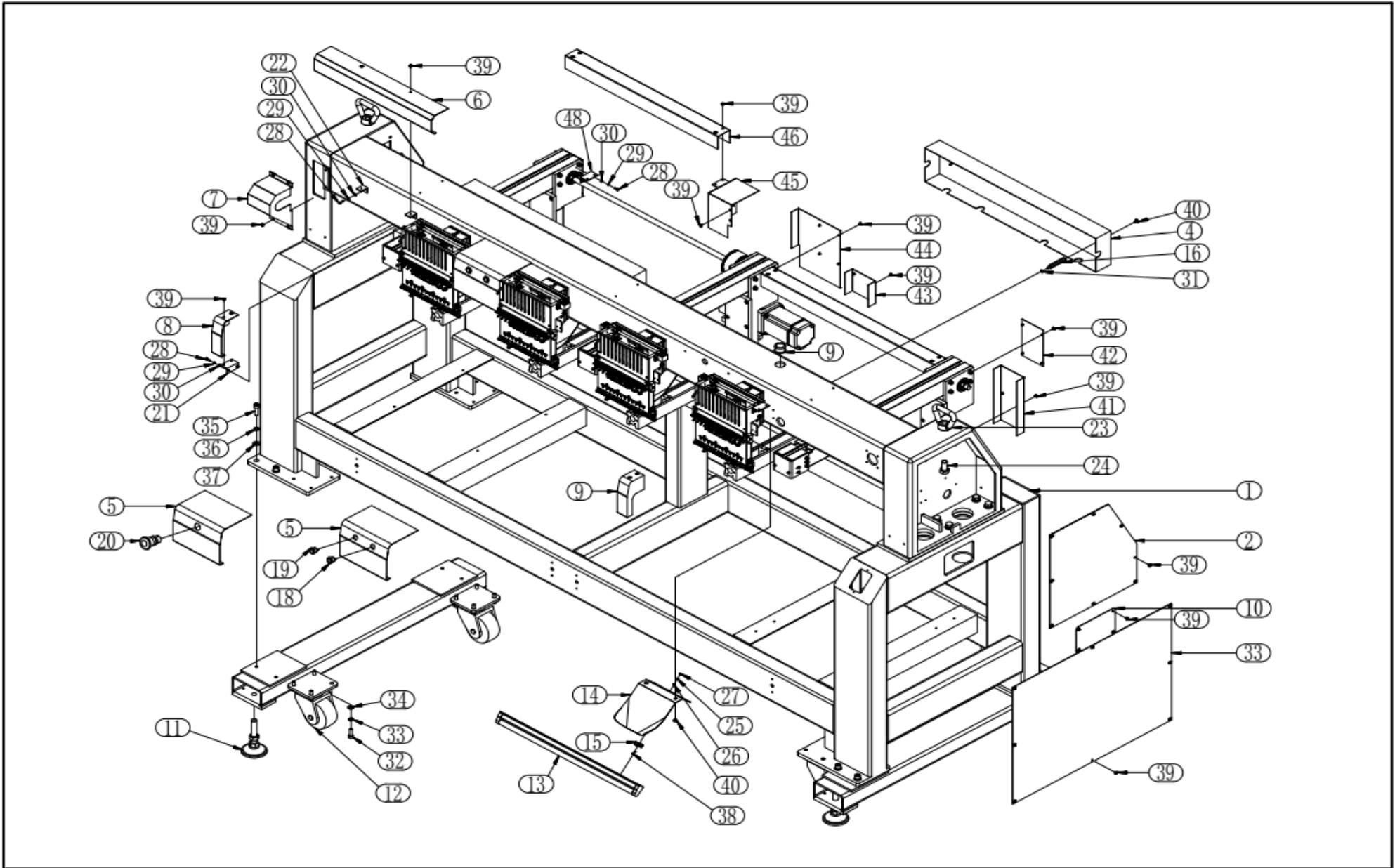
21011V1-CTS Housing and Rack



21011V1-CTS Housing and Rack

Drawing No.	Ref. No.	Part Name / Specification	Part No.	Drawing No.	Ref. No.	Part Name / Specification	Part No.
21010V1	1	Complete Machine Rack CTS	210102****	21010V1	20	Emergency Switch	80233111
21010V1	2	Upper Rack Cover Plate CTS	027003**	21010V1	21	Housing Mounting Bracket	01227182
21010V1	4	Arm Plate Cover	027041**	21010V1	22	Upper Axis Cover Bracket	02702105
21010V1	5	Arm Cover	012271**	21010V1	23	Triangle Hook	809001**
21010V1	6	Upper Axis Housing	027021**	21010V1	24	Outside Hex Screw - M20X40- Stainless Steel	80822040
21010V1	7	Upper Bearing Seat Housing	027021**	21010V1	25	Spring Washer M3- Stainless Steel	80900318
21010V1	8	Machine Head Housing - Left	01227112	21010V1	26	Washer M3 - Chrome Plated	80900308
21010V1	8	Machine Head Housing - Left -Cam Color Change	01227125	21010V1	27	Nut - M3 - Stainless Steel	80900328
21010V1	9	Machine Head Housing - Right -Cam Color Change	01227126	21010V1	28	Hex Socket Cap Screw M4x10- Stainless Steel	80813410
21010V1	10	Arm Housing - Right	01227124	21010V1	29	Spring Washer M4 - Stainless Steel	80900418
21010V1	10	Cover Plate A	02703531	21010V1	30	Washer M4 - Chrome Plated	80900403
21010V1	11	Bracket	802760**	21010V1	31	Spring Washer M6 - Black	80900613
21010V1	12	Flat Bottom - Movable - 4 Series	80270201	21010V1	32	Hex Socket Cap Screw M8x25 – Stainless Steel	80813825
21010V1	12	Truckle - 75	80270301	21010V1	33	Spring Washer M8 - Stainless Steel	80900818
21010V1	13	Daylight Lamp	802401**	21010V1	34	Washer M8 - Chrome Plated	80900801
21010V1	14	Stainless Steel Baffle Plate	02812101	21010V1	35	Hex Socket Cap Screw M10x30- Stainless Steel	80814030
21010V1	15	Daylight Lamp Clamp – T5	80240110	21010V1	36	Spring Washer M10 - Stainless Steel	80901018
21010V1	16	Pillar Bolt – Black M6x12-L69xm5	80920408	21010V1	37	Washer M10 - Chrome Plated	80901002
21010V1	17	Threading Jacket 29-23-20	80221001	21010V1	38	Flange Philip's Head Screw M3X8 - Nickel Plated	80742308
21010V1	18	Button – Greenφ16	80350102	21010V1	39	Philip's Head Screw M4x6 - Chrome Plated	80746406
21010V1	19	Button – Redφ16	80350101	21010V1	40	Philip's Head Screw M5x8 - Chrome Plated	80746508

21011V1-CTS Housing and Rack



21011V1-CTS Housing and Rack

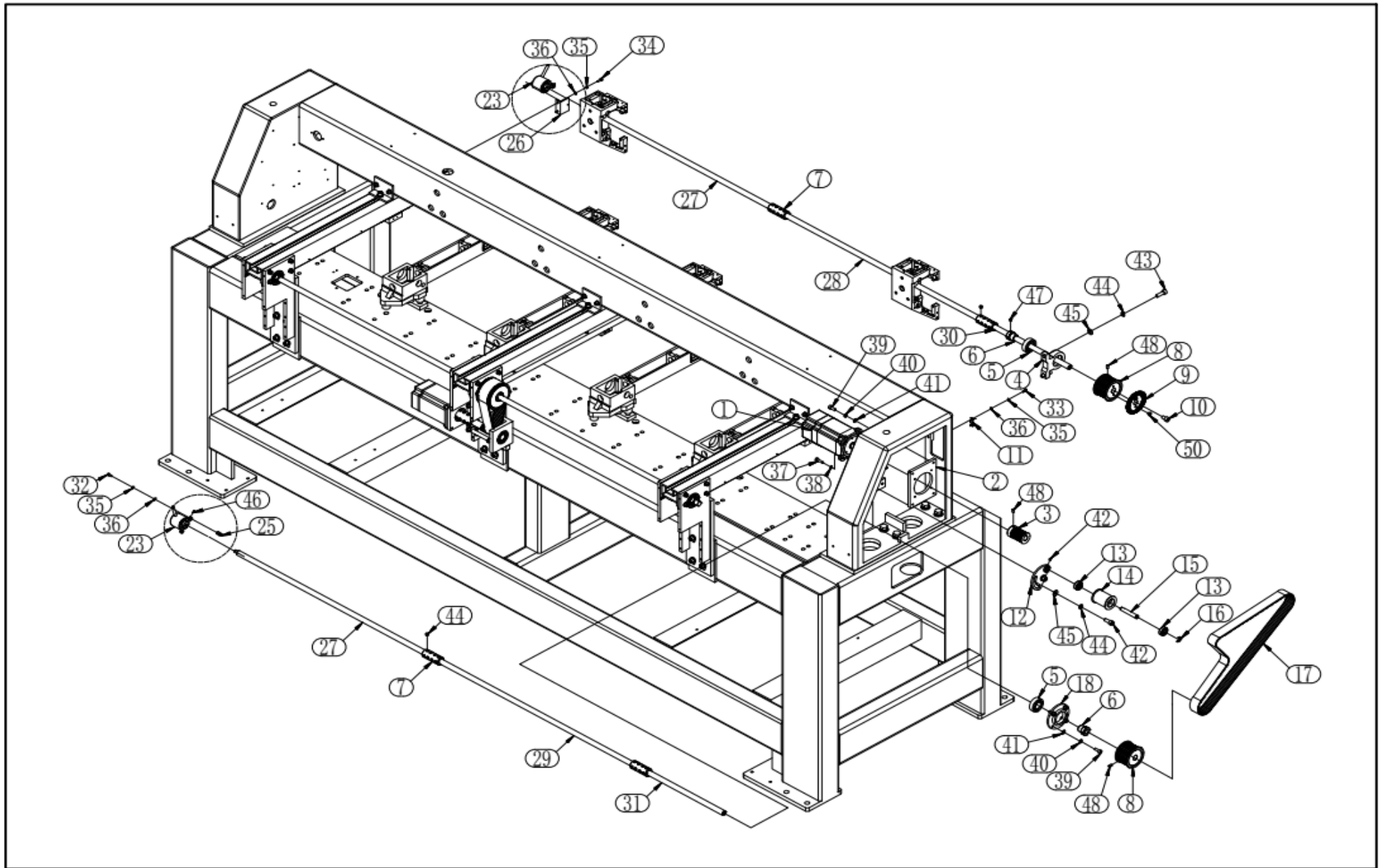
21010V1	41	Housing Y Direction - Long	02703529
21010V1	42	Housing – Y Drive C	02703513
21010V1	43	Housing Y Direction - Short	02703530
21010V1	44	Housing – Y Drive B	02703512

21010V1	45	Housing – Y Drive A	02703511
21010V1	46	Y Drive Shaft Housing - Left	027035**
21010V1	47	Y Drive Shaft Housing - Right	027035**

21020V1 Main Drive System

Drawing No.	Ref. No.	Part Name / Specification	Part No.	Drawing No.	Ref. No.	Part Name / Specification	Part No.
21020V1	1	Servo Motor – Main Shaft		21020V1	32-33	Hex Socket Cap Screw M4x8 – Stainless Steel	80813408
21020V1	2	Main motor Installation Plate	023101**	21020V1	34	Hex Socket Cap Screw M4x12– Stainless Steel	80813412
21020V1	3	Belt Wheel - Main Shaft Motor	800252**	21020V1	35	Spring Washer M4 - Nickel Plated	80900418
21020V1	8	Belt Wheel 40	800252**	21020V1	36	Washer M4 - Nickel Plated	80900408
21020V1	14	Tension Pulley	023131**	21020V1	37	Hex Socket Cap Screw M4x25– Stainless Steel	80813525
21020V1	15	Tension Shaft	023131**	21020V1	38	Spring Washer M5 - Nickel Plated	80900518
21020V1	17	Timing Belt - Main Shaft	800251**	21020V1	39	Hex Socket Cap Screw M6x20 – Stainless Steel	80813620
21020V1	18	Low Axis Bearing Seat	02312113	21020V1	40	Spring Washer M6 - Nickel Plated	80900618
21020V1	18	Low Axis Bearing Seat - 42	80039101	21020V1	41	Washer M6- Nickel Plated	80900605
21020V1	19	Lower Axis Transition	02312112	21020V1	42	Hex Socket Cap Screw M8x20- Black	80810820
21020V1	20	Tension Base	02312120	21020V1	43	Hex Socket Cap Screw M8x30- Black	80810830
21020V1	21	Belt Wheel 20-5M-36-15	80025223	21020V1	44	Spring Washer M8 - Black	80900813
21020V1	22	Timing Belt 350-5M-30	80025113	21020V1	45	Washer M8 - Black	80900803
21020V1	23	Encoder - HOUDE	80330101	21020V1	46	Hexagon Socket Set Screw M3x6	80880306
21020V1	25	Hexagon Prism -10-M5x6- Hole M4	80922001	21020V1	47	Hexagon Socket Set Screw M5x6	80880506
21020V1	26	Encoder Mounting Bracket	02311123	21020V1	48	Hexagon Socket Set Screw M6x10	80880610
21020V1	27	Encoder Shaft	0231****	21020V1	49	Hexagon Socket Set Screw M8x6	80880806
21020V1	28	Upper Connection Shaft	023110**	21020V1	50	Philip’s Head Screw M4x6- Nickel Plated	80746406
21020V1	29	Lower Connection Shaft	0231****	21020V1	51	Deep Groove Ball Bearing 6003-35-17-10	80031722
21020V1	30	Upper Shaft Z	023111**	21020V1	52	Bearing Housing Φ15-17	80031501
21020V1	31	Lower Shaft Z	023121**				

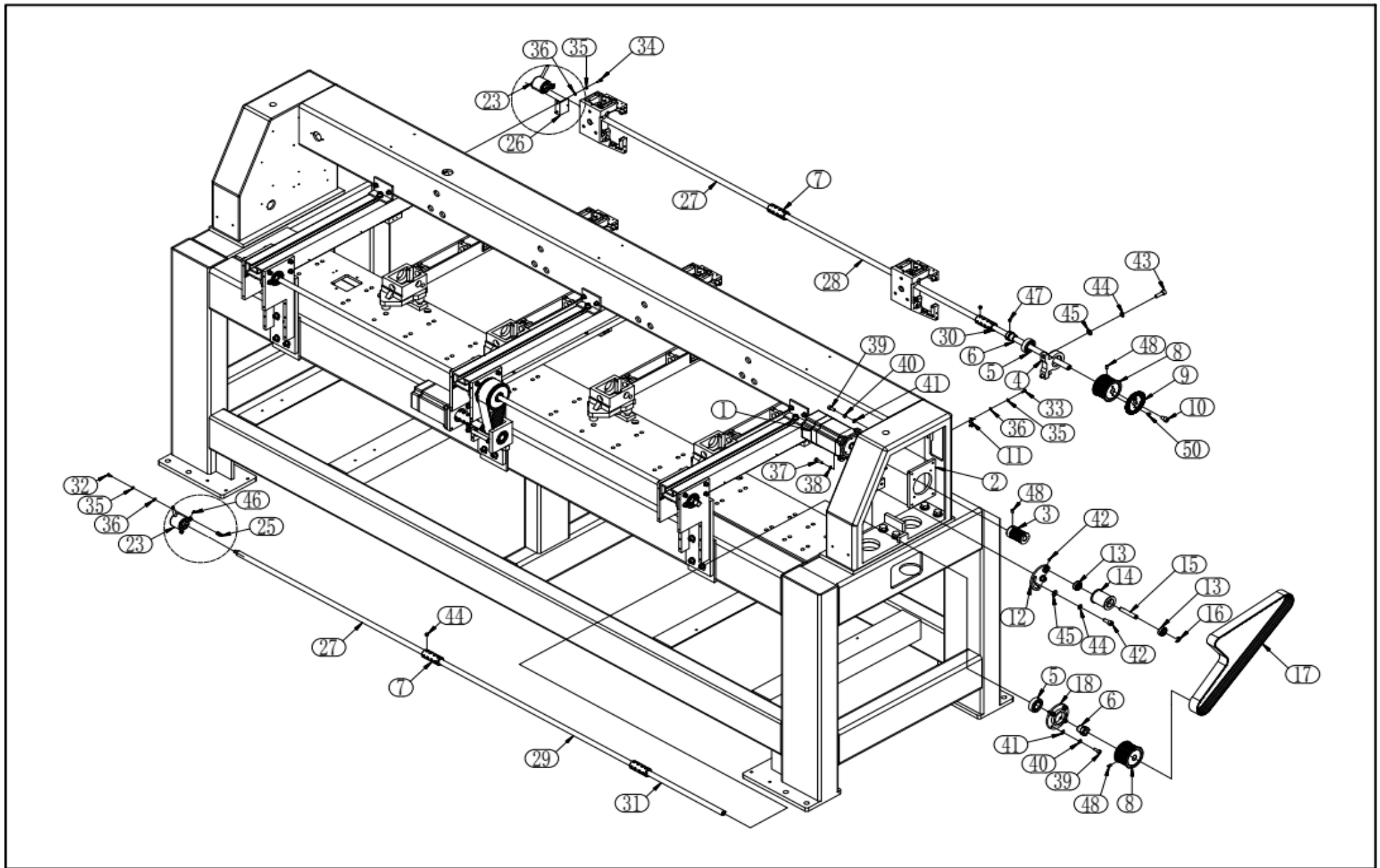
21021V1-CTS Main Drive System



21021V1-CTS Main Drive System

Drawing No.	Ref. No.	Part Name / Specification	Part No.	Drawing No.	Ref. No.	Part Name / Specification	Part No.
21020V1	1	Servo Motor	8031****	21020V1	25	Hexagon Prism -10-M5x6- Hole M4	80922001
21020V1	2	Principal Axis Motor Plate	023101**	21020V1	25	Hexagon Prism -10-M5x6- Hole M4	80922001
21020V1	3	Belt Wheel	800252**	21020V1	26	Encoder Mounting Bracket	02311123
21020V1	4	Bearing Seat -42-Height 45	02311111	21020V1	27	Encoder Shaft	0231****
21020V1	5	Bearing -6004 NTN	80032022	21020V1	28	Main Shaft	023110**
21020V1	6	Bearing Housing Φ15-20	80031502	21020V1	29	Axis	0231****
21020V1	7	Coupling Sleeve Φ15	80031511	21020V1	30	Upper Axis Z	023111**
21020V1	8	Belt Wheel 40-5M-40-15	80025241	21020V1	31	Lower Axis Z	023121**
21020V1	8	Belt Wheel 40-5M-30-15	80025233	21020V1	32	Hex Socket Cap Screw M4x6 - Stainless Steel	80813406
21020V1	9	Dial	80050101	21020V1	33	Hex Socket Cap Screw M4x8 - Stainless Steel	80813408
21020V1	10	Hex Socket Cap Screw M8x12 - Anticlockwise	80813813	21020V1	34	Hex Socket Cap Screw M4x12 - Stainless Steel	80813412
21020V1	11	Dial Needle	02311141	21020V1	35	Spring Washer M4 – Stainless Steel	80900418
21020V1	12	Tensioner Wheel Seat	02313103	21020V1	36	Washer M4 – Stainless Steel	80900408
21020V1	13	Deep Groove Ball Bearing 26-10-8	80031022	21020V1	37	Hex Socket Cap Screw M4x20– Stainless Steel	80813520
21020V1	14	Tension Pulley	023131**	21020V1	38	Spring Washer M5 - Stainless Steel	80900518
21020V1	15	Tension Shaft	023131**	21020V1	39	Hex Socket Cap Screw M6x18– Stainless Steel	80813618
21020V1	16	E-Type Outside Clamp Spring 8-7	80030871	21020V1	40	Spring Washer M6 - Stainless Steel	80900618
21020V1	17	Timing Belt	800251**	21020V1	41	Washer M6 - Stainless Steel	80900608
21020V1	18	Low Axis Bearing Seat- 42	80039101	21020V1	42	Hex Socket Cap Screw M8x20- Black	80810820
21020V1	23	Encoder - HOUDE	80330101	21020V1	43	Hex Socket Cap Screw M8x25- Black	80810825

21021V1-CTS Main Drive System

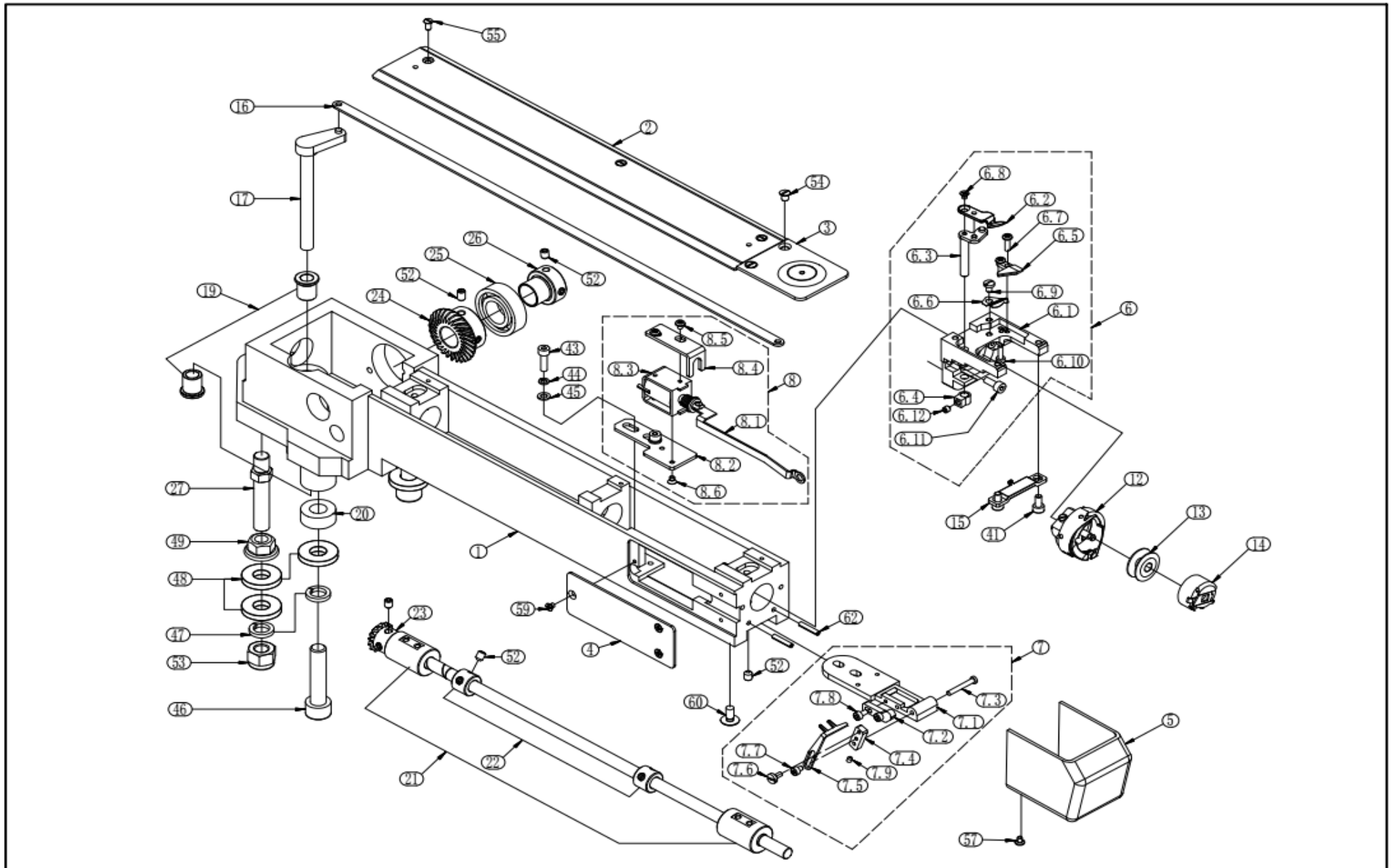


21021V1-CTS Main Drive System

21020V1	44	Spring Washer M8 -Black	80900813
21020V1	45	Washer M8 - Black	80900803
21020V1	46	Hexagon Socket Set Screw M3x4-Black	80880304
21020V1	47	Hexagon Socket Set Screw M5x6-Black	80880506
21020V1	48	Hexagon Socket Set Screw M6x8-Black	80880608

21020V1	49	Hexagon Socket Set Screw M8x6-Black	80880806
21020V1	50	Philip's Head Screw M4x6- Nickel Plated	80746406
21020V1	51	Deep Groove Ball Bearing 6003-35-17-10	80031722

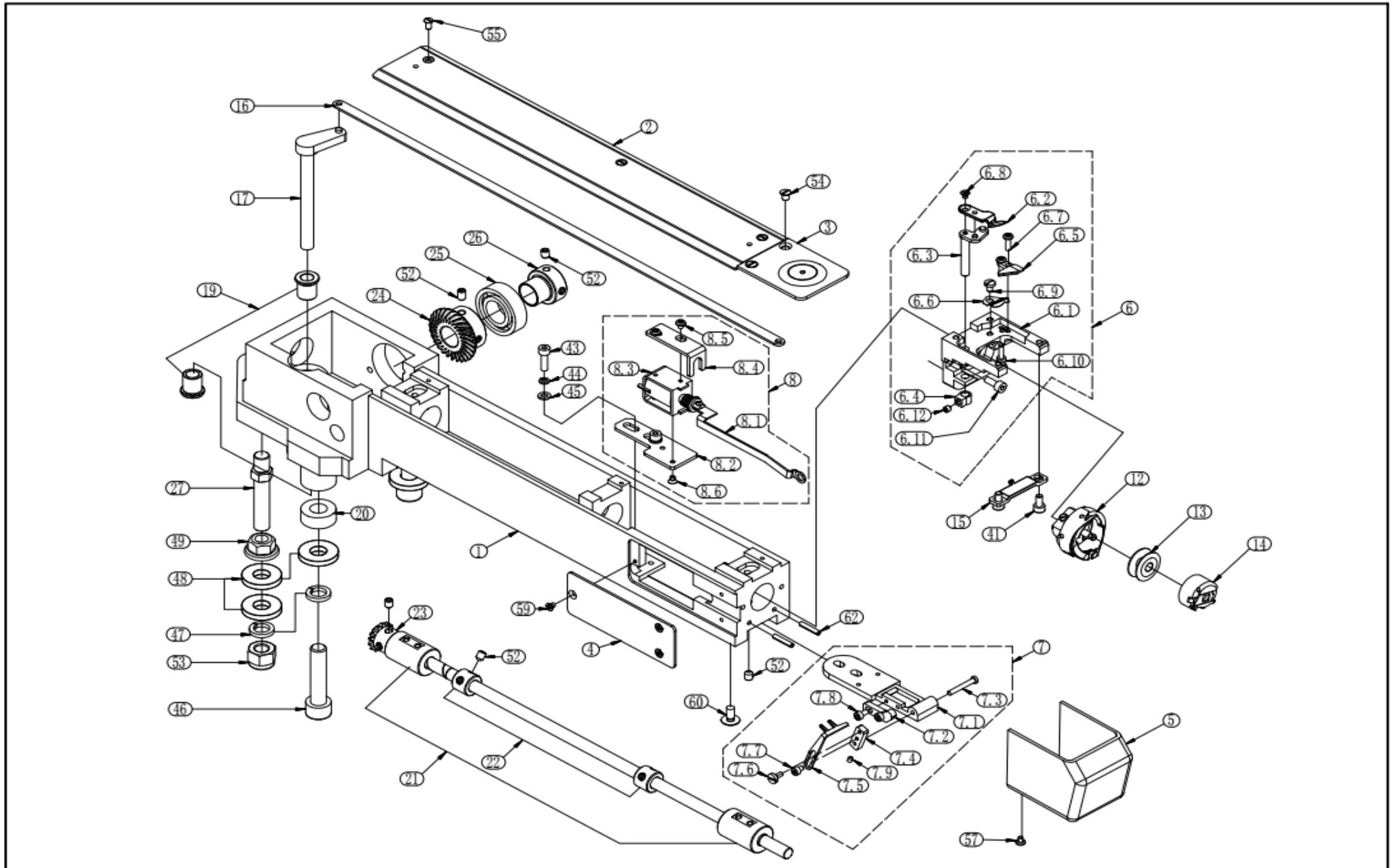
21030V1- Rotary Hook Arm



21030V1- Rotary Hook Arm

Drawing No.	Ref. No.	Part Name / Specification	Part No.	Drawing No.	Ref. No.	Part Name / Specification	Part No.
21030V1	1	Small Rotary Hook Base -SY	02010601	21030V1	18	Washer M8- Copper	80900805
21030V1	2	Front Upper Cover Plate -SY	02010602	21030V1	19	End Face Shaft Sleeve 12	80030803
21030V1	3	Flat Needle Plate - 35	02101311	21030V1	20	Hook armWasher - 10	02101152
21030V1	3	Needle Plate with Convex - 35	02101312	21030V1	21	Hook arm Rear Shaft Sleeve	02101131
21030V1	3	Flat Needle Plate -35-3.8 Hole	02101311AA	21030V1	22	Rear Checking Ring - SY	02010641
21030V1	4	Hook Line Side Cover Plate - SY	02010621	21030V1	23	Rotating Shuttle Axis Gear	01030132
21030V1	5	Rotating Shuttle Housing -SY	02010631	21030V1	24	Lower Axis Gear	01030131
21030V1	6	Needle Plate Seat-SY	02010661	21030V1	25	Deep Groove Ball Bearing - 6003	80031722
21030V1	7	Lacing Thread Module - SY	02010662	21030V1	26	Bearing Housing Φ 15-17	80031501
21030V1	8	Lacing Thread Electromagnet Module of Small Rotary Hook Base	02010665	21030V1	27	Shuttle Box Installation Bolt M10X60	80920402
21030V1	12	Rotary hook - KHS12-RYP	80620291	21030V1	41	Flat Head Slotted Screw 9/64x8 - Black	80924102
21030V1	13	Bobbin	80620302	21030V1	43	Hex Socket Cap Screw M4*8 - Stainless Steel	80813408
21030V1	15	Rotating Shuttle Locating Hook	02101321	21030V1	44	Spring Washer M4 – Stainless Steel	80900418
21030V1	14	Bobbin case	80620301	21030V1	45	Washer M4 - Chrome Plated 4.3x8x1.0	80900403
21030V1	16	Trimming rod	02101237	21030V1	46	Hex Socket Cap Screw M10*45- Black	80811045
21030V1	17	Trimming drive bar set	03021280	21030V1	47	Spring Washer M10 -Black	80901013

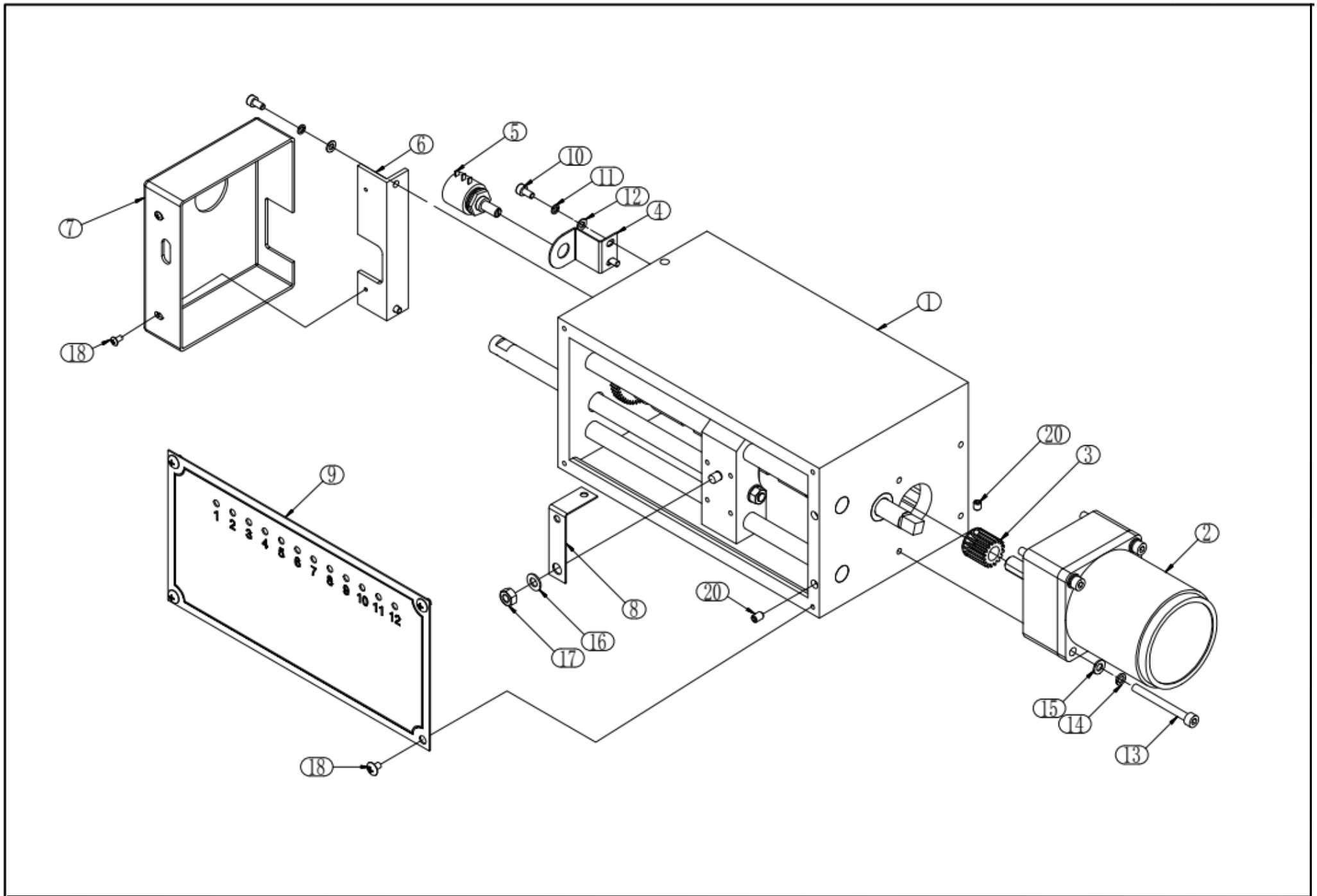
21030V1- Rotary Hook Arm



21030V1- Rotary Hook Arm

21030V1	48	Washer M10 - Chrome Plated - M10x25x4	80901051	21030V1	55	Countersink Slotted Screw 9/64 X 6	80924121
21030V1	49	Hex Locking Flange Nut M10	80901031	21030V1	59	Countersink Philip's Head Screw M3 X 4	80860304
21030V1	52	Hexagon Socket Set Screw M5×5-Black	80880505	21030V1	60	Hex Socket Cap Screw M5*14-Black	80810514
21030V1	53	Locknut M10- Zinc Plated	80901032	21030V1	62	Spring Pin 3x16	80685135
21030V1	54	Countersink Slotted Screw 11/64 X 6	80924131				

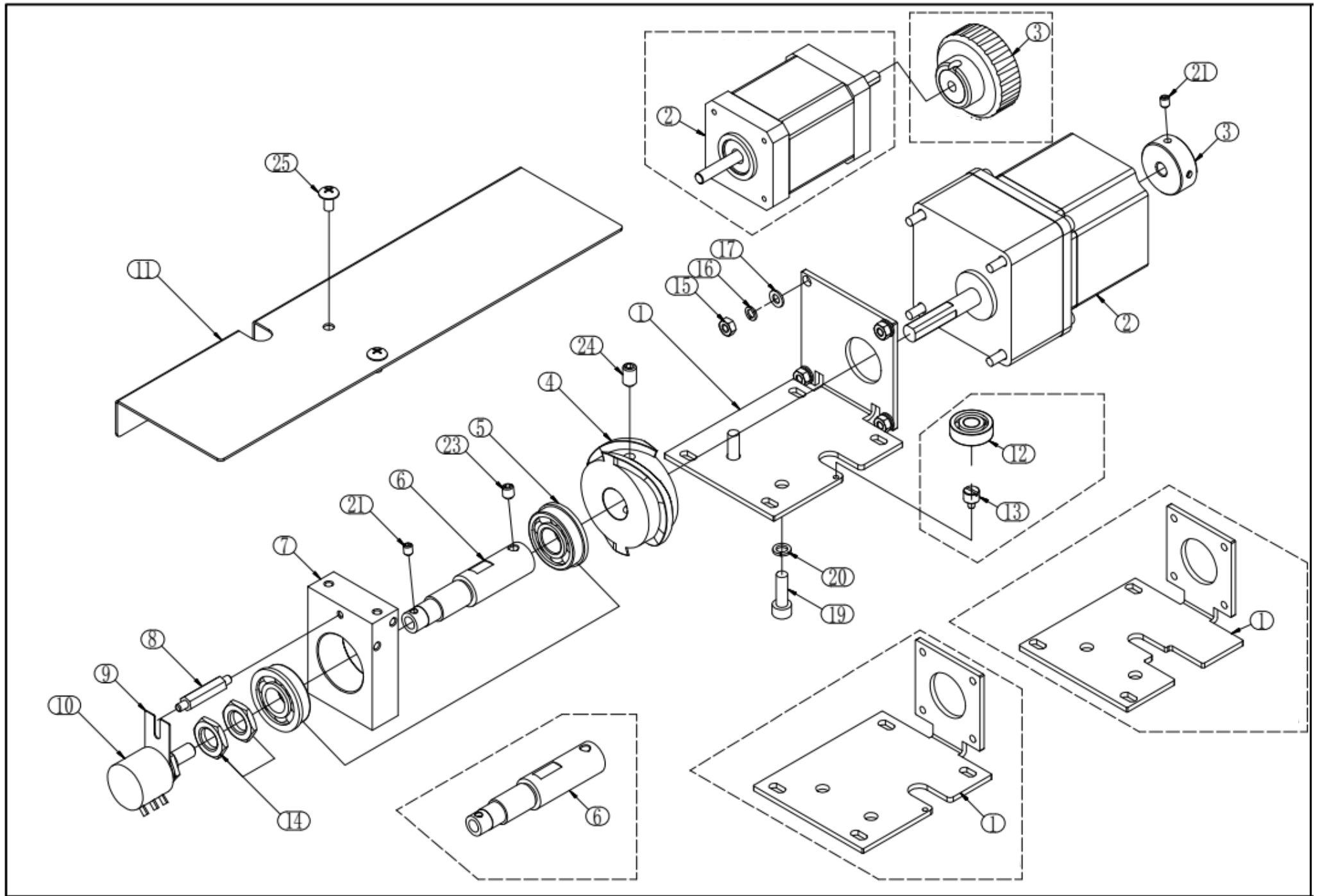
21040V1 Color-Change System -12



21040V1 Color-Change System -12

Drawing No.	Ref. No.	Part Name / Specification	Part No.		Drawing No.	Ref. No.	Part Name / Specification	Part No.
21040V1	1	Color-Change Box	0129****					
21040V1	2	Color-Change Motor-YN70-15W-G10	80320101					
21040V1	3	Motor Driving Gear- 18 Teeth	01290902					
21040V1	4	Potentiometer Mounting Plate	01291210					
21040V1	5	Potentiometer S7276	80333702					
21040V1	6	Boxside cover Support	01290130					
21040V1	7	Cover Plate	80211002					
21040V1	8	Color Change Indicator Bracket	01290912					
21040V1	9	Color-Change Box Plate 12	01291270					
21040V1	10	Hex Socket Cap Screw M4x10-Stainless Steel	80813410					
21040V1	11	Spring Washer M4 - Stainless Steel	80900418					
21040V1	12	Washer M4 - Chrome Plated	80900405					
21040V1	16	Washer M6 - Chrome Plated	80900605					
21040V1	17	Nut M6 - Stainless Steel	80900628					
21040V1	18	Philip's Head Screw M4x8 – Stainless Steel	80746408					
21040V1	20	Hexagon Socket Set Screw M5×5-Black	80880505					

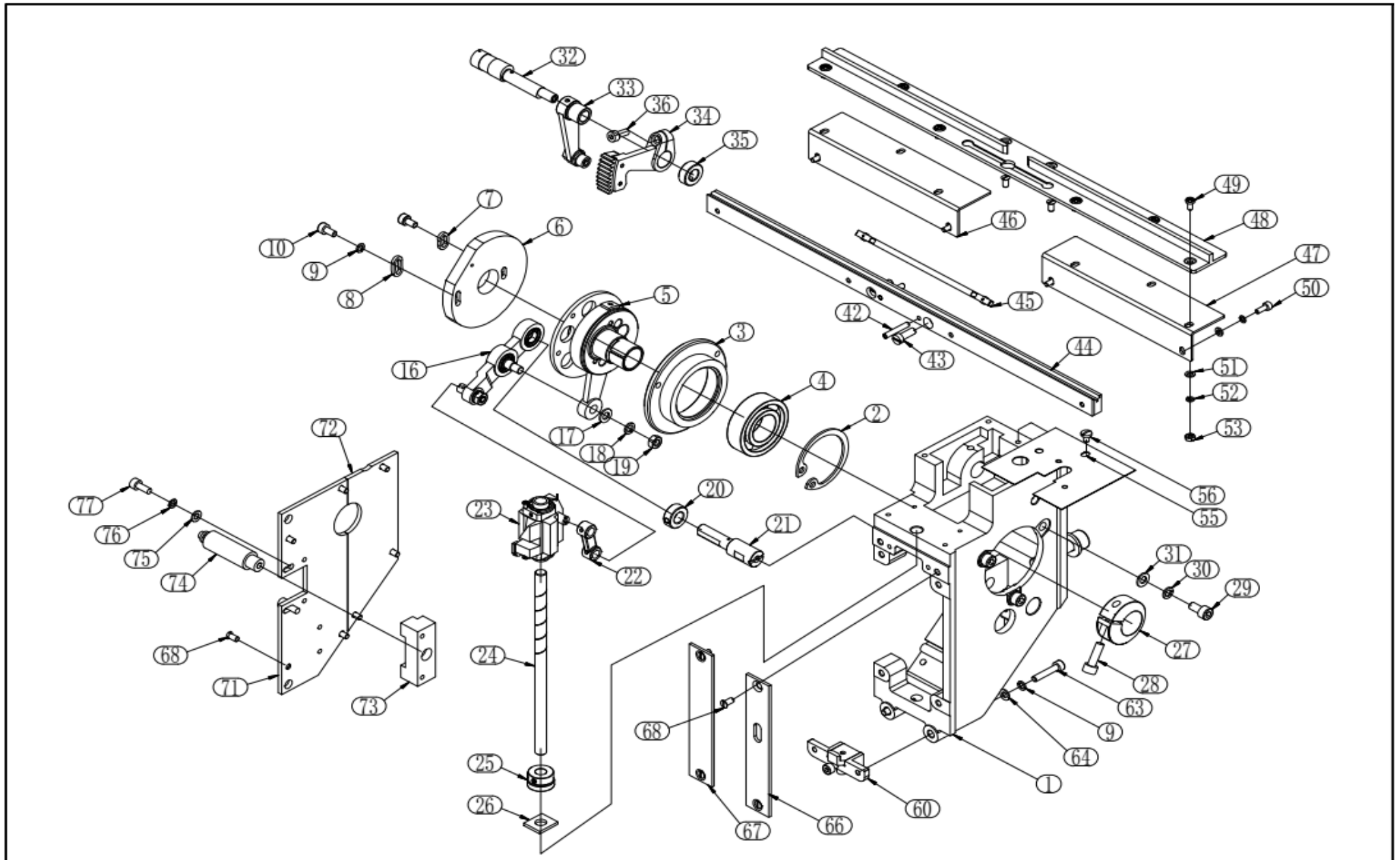
21041V1 – Stepping Motor 57, 42 Color Change



21041V1 – Stepping Motor 57, 42 Color Change

Drawing No.	Ref. No.	Part Name / Specification	Part No.	Drawing No.	Ref. No.	Part Name / Specification	Part No.
21041V1	1	Color Chang Motor Base -42-High Speed	01293830	21041V1	14	Nut - M12×1×3	01293836
21041V1	1	Stepping Color Change Base – 42-Low Speed	01293861	21041V1	15	Hex Socket Cap Screw M3x8-Black	80810308
21041V1	1	Cam Color Changing Motor Base -57	01293826	21041V1	15	Nut - M5 - Stainless Steel	80900528
21041V1	2	Stepping Motor 17H2059-12-6B	80304222	21041V1	16	Spring Washer M3	80900313
21041V1	2	Stepping Motor with Reduction Gear - -57-56	80305771	21041V1	16	Spring Washer M5	80900513
21041V1	3	Color Changing Handle	03040511	21041V1	17	Washer M3 - Black	80900310
21041V1	3	Color Changing Button	01293306	21041V1	17	Washer M5- Black	80900501
21041V1	4	Color Changing Cam - Double Track – Clip Type	01293812	21041V1	19	Hex Socket Cap Screw M5x12-Black	80810512
21041V1	5	Flange Bearing 12 X 28 X 8	80031224	21041V1	20	Spring Washer M5 - Black	80900513
21041V1	6	Color Changing Cam Shaft - 42-1, 2 Heads	01293832	21041V1	21	Hexagon Socket Set Screw M4x5-Black	80880405
21041V1	6	Color Changing Cam Shaft-57	01293828	21041V1	23	Hexagon Socket Set Screw M5x6-Black	80880506
21041V1	7	Bearing Seat - Cam	01293827	21041V1	24	Hexagon Socket Set Screw M6x10- Black	80880610
21041V1	8	Potentiometer Set Bolt	03040509	21041V1	25	Philip's Head Screw M4x8 – Stainless Steel	80746408
21041V1	9	Potentiometer Support Plate	03040510				
21041V1	10	Potentiometer S7276	80333702				
21041V1	11	Color Changing Upper Cover Plate - CT	01293848				
21041V1	12	Deep Groove Bearing 19-7-6	80030722				
21041V1	13	Color Changing Bearing Pin -LH	01211012				

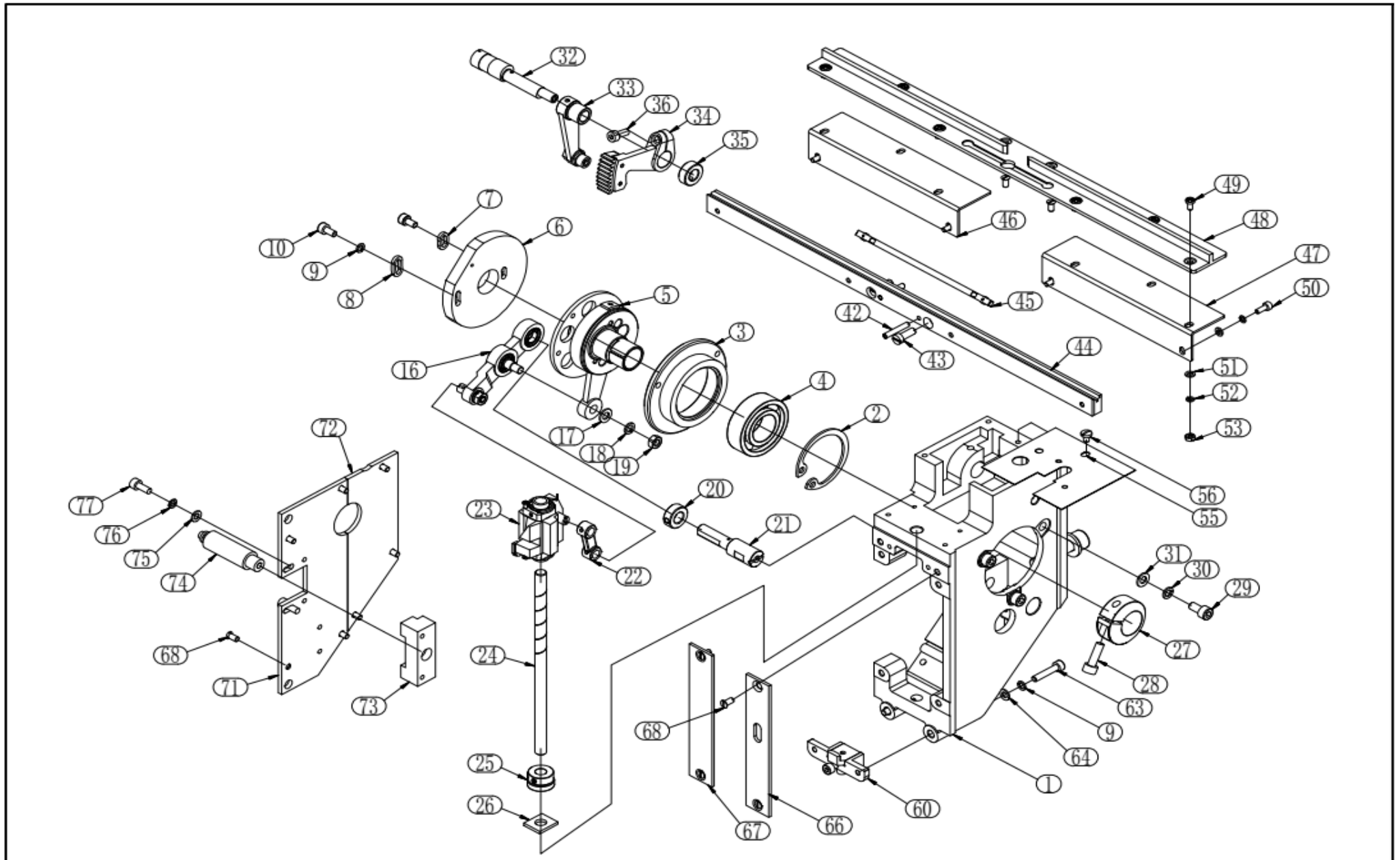
21050V1-Arm – Single Drive



21050V1-Arm – Single Drive

Drawing No.	Ref. No.	Part Name / Specification	Part No.	Drawing No.	Ref. No.	Part Name / Specification	Part No.
21050V1	1	Aluminum Housing	01200101	21050V1	25	Shaft Sleeve	01202291
21050V1	2	Circlip 42	80034281	21050V1	26	Arm Shaft - Linoleum	01202203
21050V1	3	Bearing Sleeve	01201101	21050V1	27	Cam Clamping Sleeve ϕ 15	01201105
21050V1	4	Deep Groove Ball Bearing - 6004	80032022	21050V1	28	Hex Socket Cap Screw M5 \times 16-Black	80810516
21050V1	5	Eccentric Driving Cam	01201191	21050V1	29	Hex Socket Cap Screw M5 \times 10-Black	80810510
21050V1	6	Nylon Cam M3- Φ 15	01201301	21050V1	32	Eccentric Pin	01201308
21050V1	7	Cam Washer A	01200302	21050V1	33	Take-up Lever A	01201391
21050V1	8	Cam Washer B	01200303	21050V1	34	Take-up Lever B	01201392
21050V1	9	Spring Washer M4 - Black	80900413	21050V1	36	Hex Socket Cap Screw M4 X 10	80810410
21050V1	10	Hex Socket Cap Screw M4 \times 8 - Black	80810408	21050V1	42	Spring Pin Φ 3 \times 16	80685135
21050V1	16	Connecting Rod - Bearing	01202121	21050V1	43	Flat Head Slotted Screw 11/64 X12- Black	80924114
21050V1	17	Washer M5	80900503	21050V1	44	Needle Bar Guide Rail – 12 Needles	01200902
21050V1	18	Spring Washer M5 - Black	80900513	21050V1	45	Needle Bar Slide Set -12 Needles	01200904
21050V1	19	Nut M5	80900528	21050V1	46	Guide Rail Holder Left – 12 Needles	01200912
21050V1	20	Baffle	01202204	21050V1	47	Guide Rail Holder Right – 12 Needles	01200913
21050V1	21	No.3 Pin	01202144	21050V1	48	Take-Up Guide Plate -12 Needles	80210921
21050V1	22	Small Connecting Rod	01202131	21050V1	49	Flange Philip's Head Screw M3X8 - Nickel Plated	80742308
21050V1	23	Driver	01203190	21050V1	50	Hex Socket Cap Screw M3 \times 10-Black	80810310
21050V1	24	Arm Driving Shaft	01202201	21050V1	51	Washer M3- Black	80900313

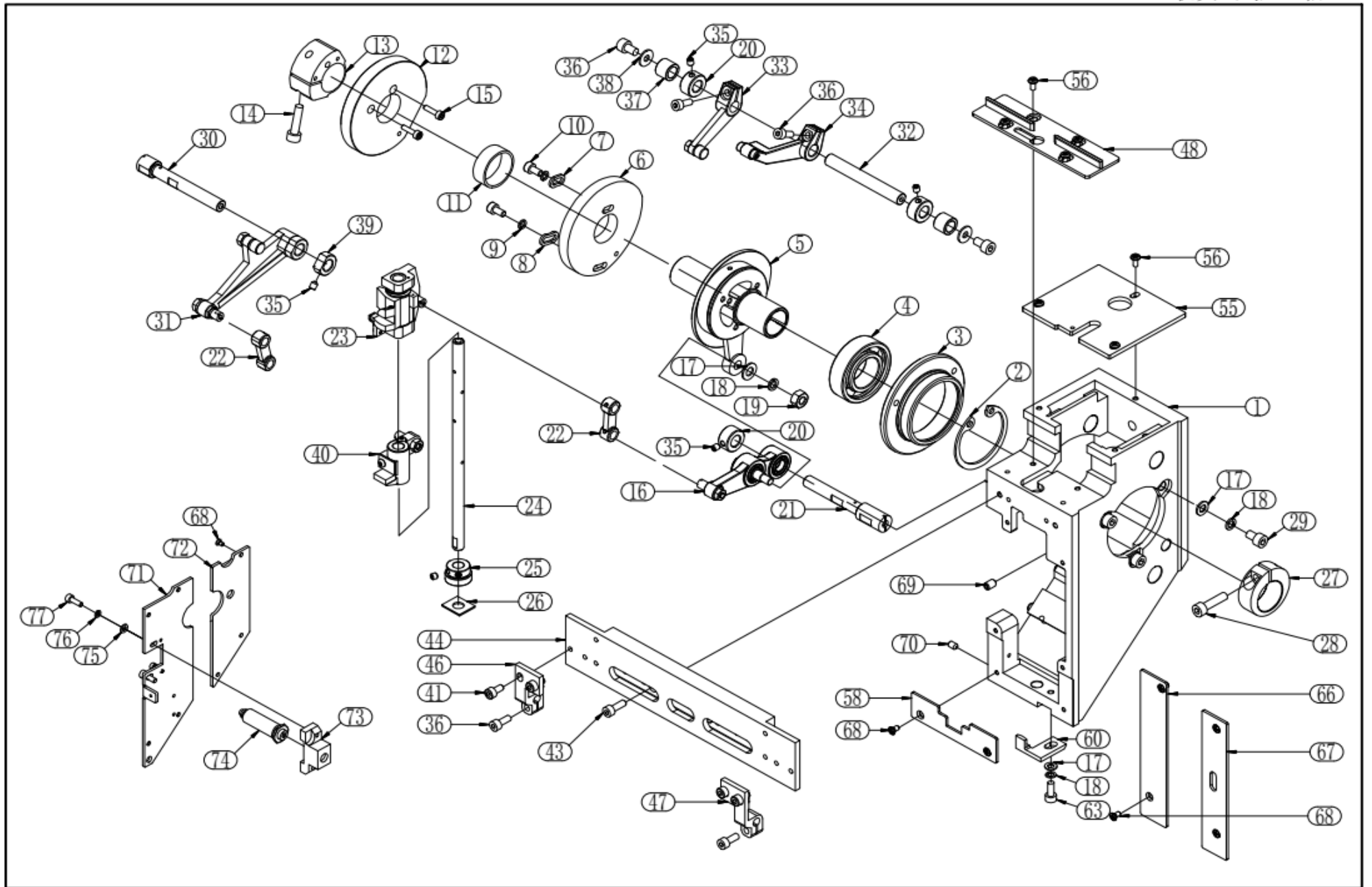
21050V1-Arm – Single Drive



21050V1-Arm – Single Drive

21050V1	52	Spring Washer M3 - Black	80900313	21050V1	68	Countersink Slotted Screw 9/64 X 6- Nickel Plated	80924121
21050V1	53	Nut M3- Black	80900328	21050V1	71	Chassis Front Plate	01204202
21050V1	55	Arm Upper Cover	01204231	21050V1	72	Chassis Back Plate	01204201
21050V1	56	Round Slotted Screw 9/64x8 - Nickel Plated	80924152	21050V1	73	Solenoid Bracket	01202501
21050V1	60	Positioning Block	01203591	21050V1	74	Solenoid	80320201
21050V1	63	Hex Socket Cap Screw M4×20- Black	80810420	21050V1	75	Washer M4	80900403
21050V1	64	Washer M4- Black	80900403	21050V1	76	Spring Washer M4 – Stainless Steel	80900418
21050V1	66	Guide Plate- Right	01204102	21050V1	77	Hex Socket Cap Screw M4×12- Stainless Steel	80813412
21050V1	67	Guide Plate- Left	01204101	21050V1			

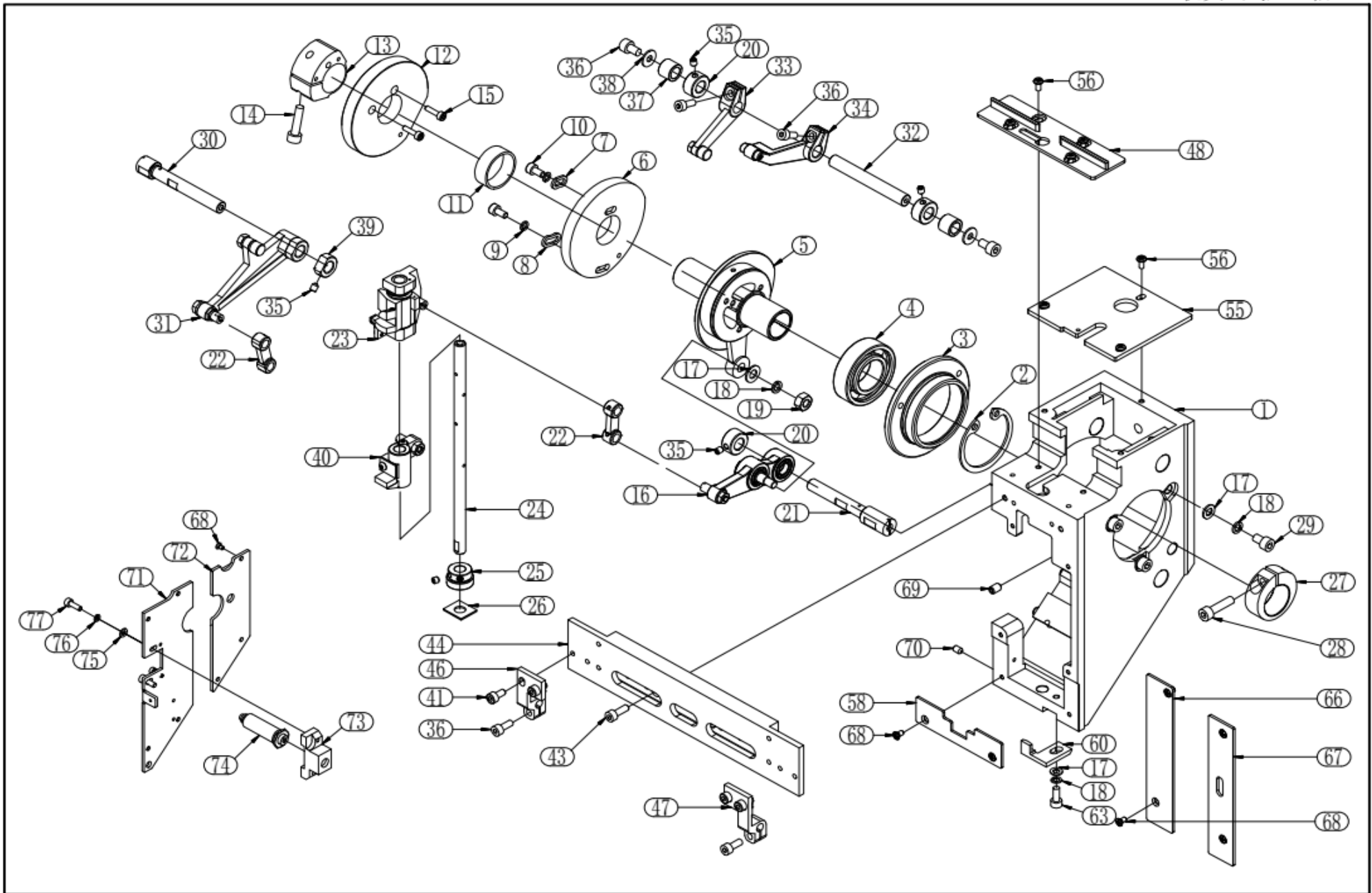
21051V1- Arm – Double Drive – Table I Shaft



21051V1- Arm – Double Drive – Table I Shaft

Drawing No.	Ref. No.	Part Name / Specification	Part No.	Drawing No.	Ref. No.	Part Name / Specification	Part No.
21051V1	1	High-Speed Cover	012101**	21051V1	16	Three-Hole Connecting Rod Assembly – High Speed	01212161
21051V1	2	Circlip 42	80034281	21051V1	17	Washer M5 - Black	80900513
21051V1	3	Bearing Seat	01201101	21051V1	18	Spring Washer M5 - Black	80900513
21051V1	4	Deep Groove Ball Bearing - 6004	80032022	21051V1	19	Nut M5 - Black	80900523
21051V1	5	Main Shaft Set– Double Drive – 15 Shafts	01212460	21051V1	20	Baffle	01202204
21051V1	6	Take-Up Nylon Cam – 15 Shafts – High Speed	01212404	21051V1	21	3 -Pore connection Rod	01212303
21051V1	7	Cam Washer A	01201302	21051V1	22	Arm Driving Shaft	01202131
21051V1	8	Cam Washer B	01201303	21051V1	23	Driver	01212080
21051V1	9	Spring Washer M4 - Black	80900413	21051V1	24	Arm Driving Shaft	01212306
21051V1	10	Hex Socket Cap Screw M4×8 - Black	80810408	21051V1	25	Shaft Sleeve	01202291
21051V1	11	Presser Foot Cam Washer	01212403	21051V1	26	Arm Shaft - Felt	01212309
21051V1	12	Presser Foot Cam	01212401	21051V1	27	Cam Clamping Sleeve Φ15	01201105
21051V1	13	Fixing Sleeve For Presser Foot Cam	01212401	21051V1	28	Hex Socket Cap Screw M5×16-Black	80810516
21051V1	14	Hex Socket Cap Screw M4×16-Black	80810416	21051V1	29	Hex Socket Cap Screw M5×10-Black	80810510
21051V1	15	Hex Socket Cap Screw M4×12-Black	80810412	21051V1	30	Presser Foot Drive Pin	01212111

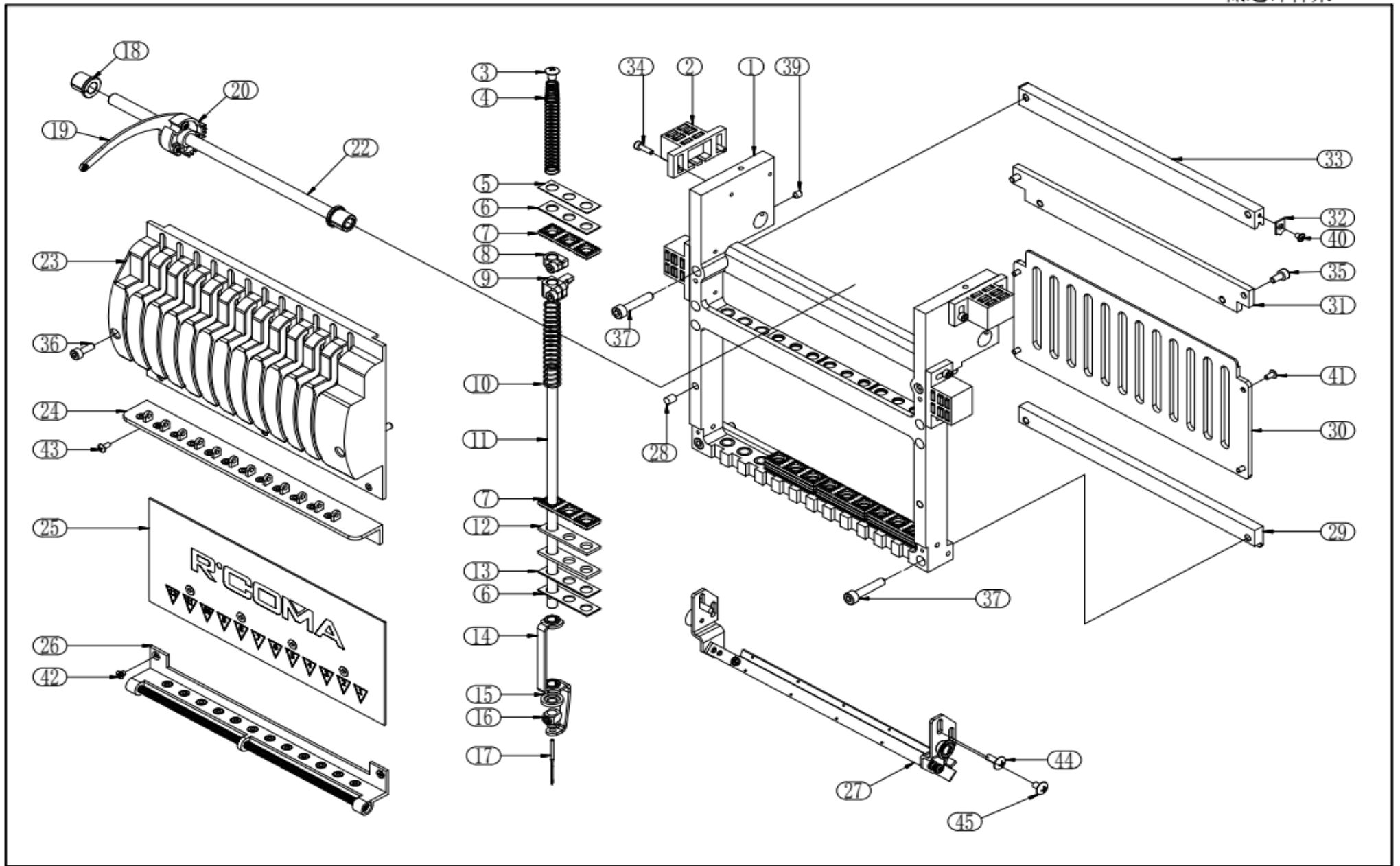
21051V1- Arm – Double Drive – Table I Shaft



21051V1- Arm – Double Drive – Table I Shaft

21051V1	32	Thread Take-Up Connecting Rod	01212307	21051V1	47	Color Changing Support Chuck – Right – High Speed Machine	01213130
21051V1	33	Thread Take-Up Connecting Rod Assembly A	01212163	21051V1	48	Take-Up Guide Plate – 3 Needles	01213308
21051V1	34	Thread Take-Up Connecting Rod Assembly B	01212165	21051V1	55	Arm Top Cover (with Tripping Bearing)	01211060
21051V1	35	Hexagon Socket Set Screw M5×5-Black	80880505	21051V1	56	Round Head Slotted Screw 9/64x8 - Nickel Plated	80924152
21051V1	36	Hex Socket Cap Screw M4 X 10	80810410	21051V1	58	High-Speed Arm Cover - Bottom	01211011
21051V1	37	Needle Bearing 8-12-8	80030831	21051V1	60	Needle Case Positioning Hook	01210121
21051V1	38	Washer - M6- Chrome Plated	80900601	21051V1	63	Hex Socket Cap Screw M5×12-Black	80810512
21051V1	39	One Hole Baffle - High Speed Arm	01212308	21051V1	66	Arm Front Left Cover - Electromagnet	01211008
21051V1	40	Presser Foot Driver	01212260	21051V1	67	Arm Front Right Cover	01211007
21051V1	41	Hex Socket Cap Screw M4 X 8	80810408	21051V1	68	Countersink Slotted Screw 9/64 X 6- Nickel Plated	80924121
21051V1	43	Hex Socket Cap Screw M4 X 12	80810412	21051V1	71	High-Speed Arm Cover A - Electromagnet	01211010

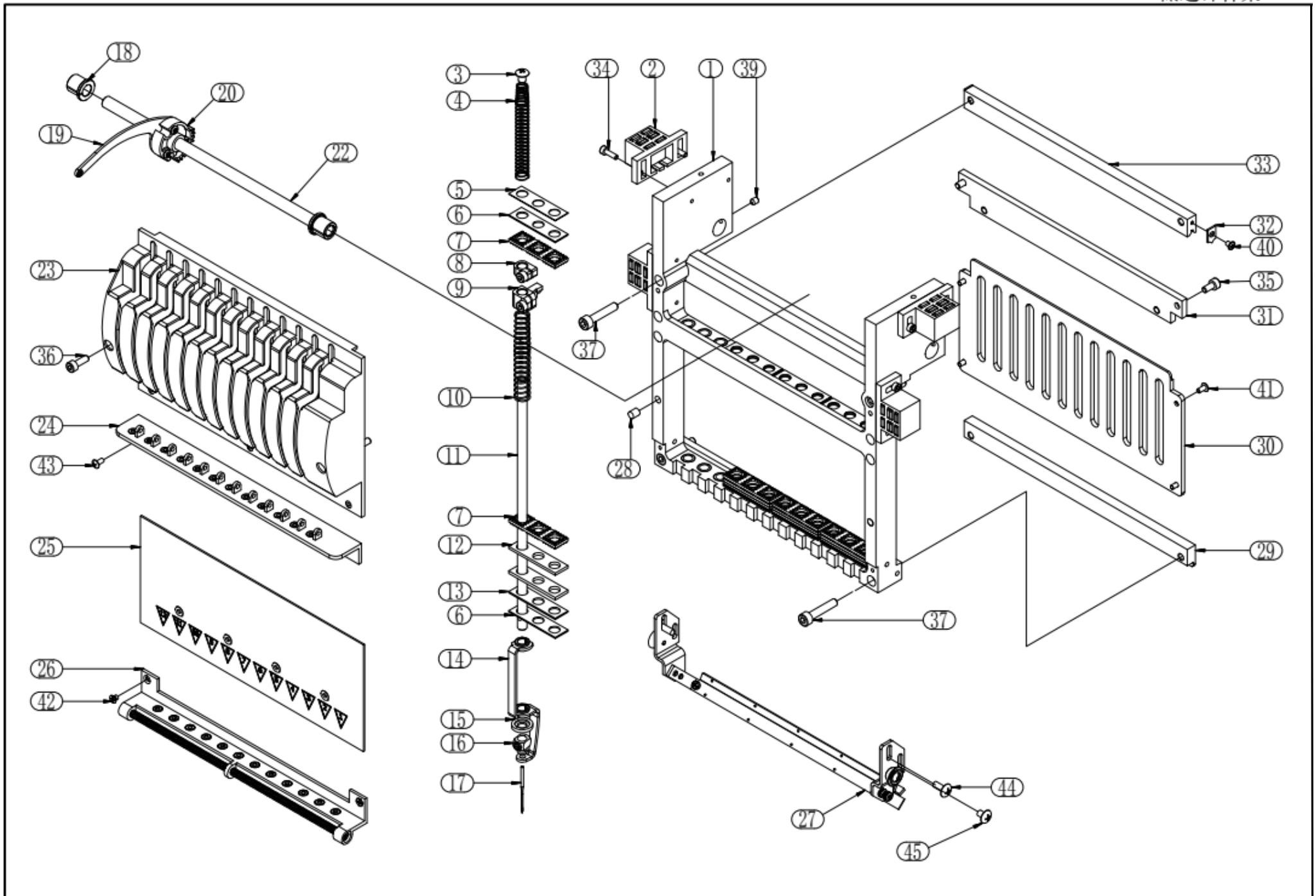
21060V1- Low-Speed Needle Bar Case



21060V1- Low-Speed Needle Bar Case

Drawing No.	Ref. No.	Part Name / Specification	Part No.	Drawing No.	Ref. No.	Part Name / Specification	Part No.
21060V1	1	High Stitch Needle Bar 12 Needles	012211**	21060V1	20	Take-up Lever Plastic Block	01221501
21060V1	2	Door Magnet	01227104	21060V1	22	Take-Up-Lever Axis – 12 Needles	01221532
21060V1	3	Needle Bar Screw	01222102	21060V1	23	Upper Arc-shape Plate – 12 Needles	80210221
21060V1	4	Needle Bar Spring	1222103	21060V1	23	Front Upper Arc-shape Plate - 12	03081302
21060V1	5	3-Hole Cowhell Washer – 0.5	01221601	21060V1	24	Middle Thread Guiding – 12 Needles	80210781
21060V1	6	3-Hole Felt Washer - 1	01221606	21060V1	24	Middle Thread Guiding – 12 Needles	03082591
21060V1	7	3-Hole Pit Rubber Washer	01221605	21060V1	25	Lower Plate -12 Needles	01221322
21060V1	8	Top Stop Clamp	01222105	21060V1	26	12-Needle Lower Thread Guiding	80210821
21060V1	9	Needle Bar Connecting Pin	01222106	21060V1	27	Face Thread Clamp -12	01226192
21060V1	10	Normal Pressor Foot Spring	01222108	21060V1	28	Lower Plate Magnet	01227102
21060V1	3、 11	Normal Needle Bar with Screws	01222196	21060V1	29	Lower Guide Rail 12 Needles – Low Speed - 207	01223512
21060V1	12	3-Hole Cowhell Washer –2	01221604	21060V1	30	Needle Bar Guide Rail - 12 Needles	80210621
21060V1	13	3-Hole Cowhell Washer –1	01221602	21060V1	31	Roller Shaft - 12 Needles	01221293
21060V1	14、 15	Presser Foot with Ring	01222195	21060V1	32	Slide Roller Stopper	01223531
21060V1	16	Needle Clamp	01222194	21060V1	33	Upper Guide Rail – 12 Needles	01223502
21060V1	17	Needle - DBXK5-11	80621111	21060V1	34	Hex Socket Cap Screw M3×12- Stainless Steel	80813412
21060V1	18	Jump Wire Bar Shaft Sleeve	1221520	21060V1	35	Round Slotted Screw 9/64x8 - Nickel Plated	80746410
21060V1	19	T-type Semi-circle Screw	01221581	21060V1	36	Hex Socket Cap Screw M4×16- Stainless Steel	80813416

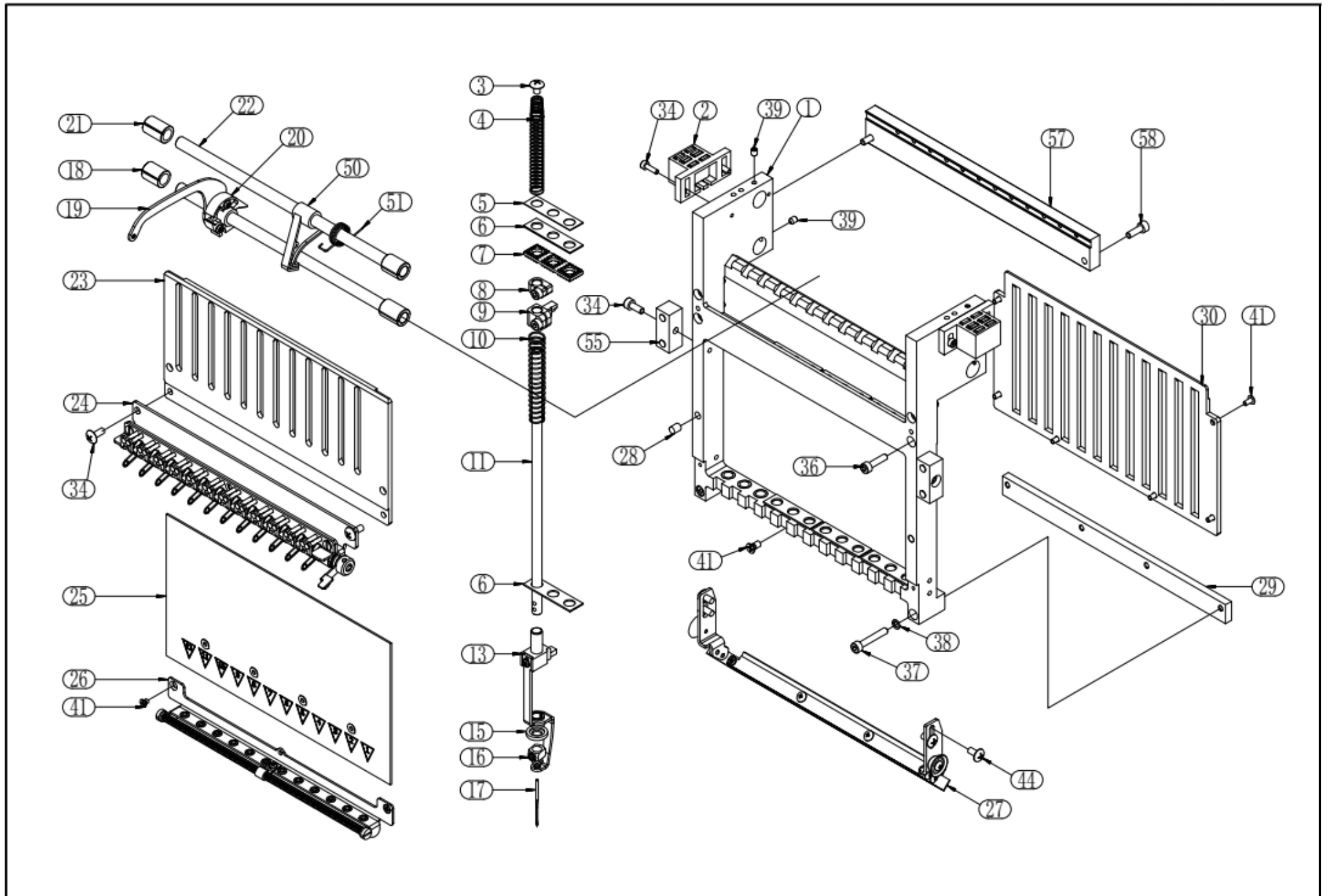
21060V1- Low-Speed Needle Bar Case



21060V1- Low-Speed Needle Bar Case

21060V1	37	Hexagon Socket Cap Screw M5×25- Black	80810525	21060V1	42	Countersink Slotted Screw 9/64 X 6- Nickel Plated	80924121
21060V1	39	Hexagon Socket Set Screw M5×5- Black	80880505	21060V1	43	Flange Philip's Head Screw M3X5 - Nickel Plated	80742305
21060V1	40	Small Philip's Head Screw M3x8- Nickel Plated	80746308	21060V1	44	Philip's Head Screw M4x10— Stainless Steel	80746410
21060V1	41	Flange Philip's Head Screw M3X8 - Nickel Plated	80742308	21060V1	45	Philip's Head Screw M4x6— Stainless Steel	80746406

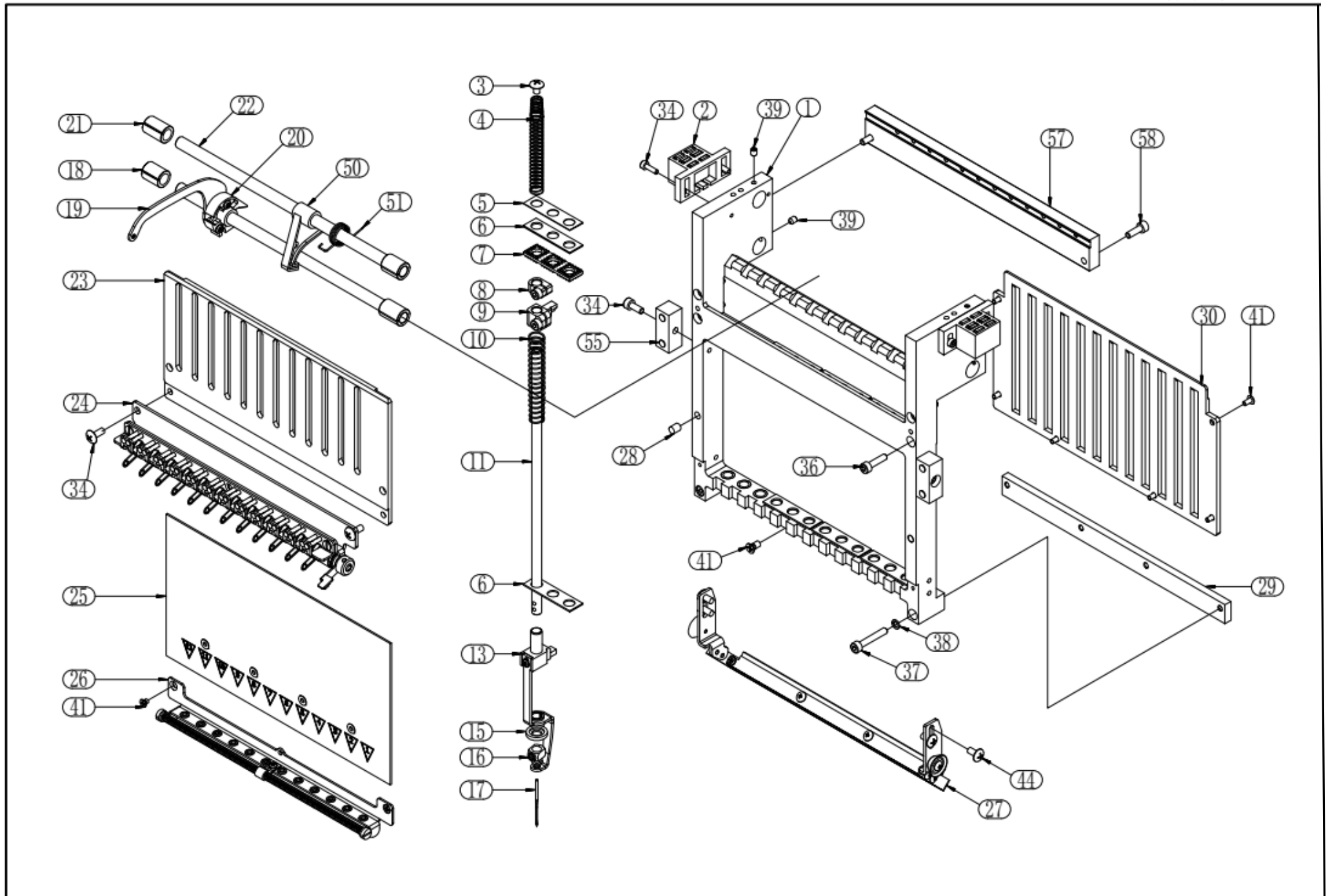
21061V1- High Speed Needle Bar Case



21061V1- High Speed Needle Bar Case

Drawing No.	Ref. No.	Part Name / Specification	Part No.	Drawing No.	Ref. No.	Part Name / Specification	Part No.
21061V1	1	Needle Bar Case - CT	012131**	21061V1	21	Take-Up Axis Stop Dog	030815**
21061V1	2	Door Magnet	01227104	21061V1	22	Take-Up-Lever Axis	012215**
21061V1	3、 11	Needle Bar – with Screw – High Speed	03080195	21061V1	23	Upper Arc-shape Plate – 12 Needles	80210221
21061V1	4	Needle Bar Spring - DT	03080102	21061V1	23	Front Upper Plate - 12	03081302
21061V1	5	3-Hole Cowhell Washer – 0.5	01221601	21061V1	23	Front Upper Plate – 15 Needles	03081312
21061V1	6	3-Hole Felt Washer - 1	01221606	21061V1	24	Middle Thread Guide Assembly – 12 Needles	80210781
21061V1	7	3-Hole Pit Rubber Washer	01221605	21061V1	24	Middle Thread Guiding – 12 Needles	03082591
21061V1	8	Top Stop Clamp	01222105	21061V1	24	Middle Thread Guiding – 15 Needles	03082592
21061V1	9	Needle Bar Connecting Pin	01222106	21061V1	25	Front Lower Plate -12 Needles	01221322
21061V1	10	Pressor Foot Spring - DT	03080108	21061V1	25	Front Lower Plate -15 Needles	03081313
21061V1	13	Needle Bar Pressor Foot Sleeve	03080104AA	21061V1	26	12-Needle Lower Thread Guiding Unit	80210821
21061V1	14	Stainless Steel Adjustable Presser Foot with Sleeve	03080181	21061V1	26	Lower Thread Guiding Unit – 12 Needles	03082509
21061V1	15	Needle Bar Washer	01222110	21061V1	26	Lower Thread Guiding Unit – 15 Needles	03082559
21061V1	16	Normal Needle Clip Band Screw	01222194	21061V1	27	Face Thread Clamp Unit – High Speed – 12 Needles	03086192
21061V1	17	Needle - DBXK5-11	80621111	21061V1	27	Face Thread Clamp Unit – High Speed – 15 Needles	03086193
21061V1	18	Take-Up Axis Stop Dog - 15	03081505	21061V1	28	Lower Plate Magnet	01227102
21061V1	19	High Speed Machine Take-up Lever	01213310	21061V1	29	Lower Guide Rail – High Speed	012131**
21061V1	20	Take-Up-Lever Plastic Block	01213311	21061V1	29	Lower Guide Rail - High Speed - 12 Needles	01213115

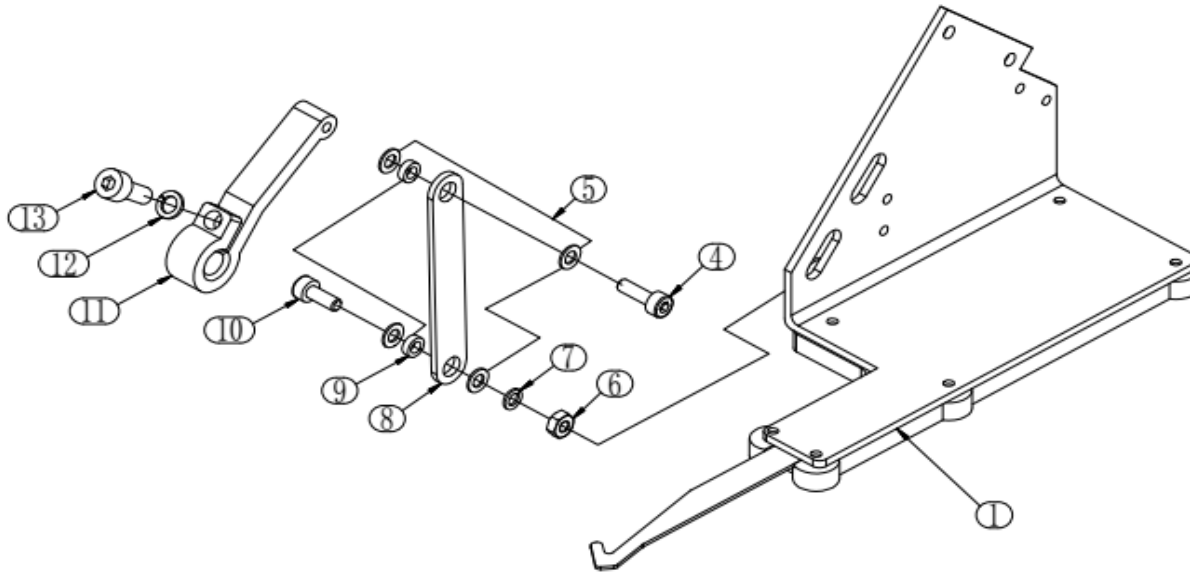
21061V1- High Speed Needle Bar Case



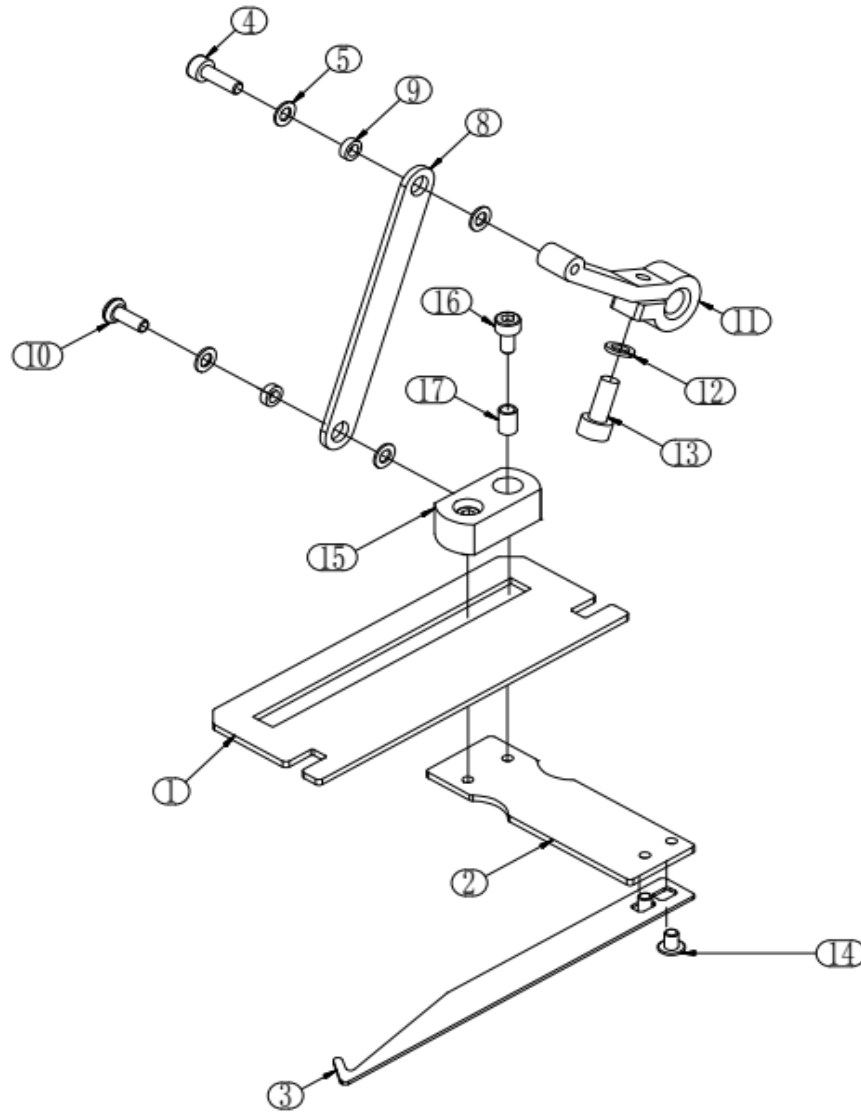
21061V1- High Speed Needle Bar Case

21061V1	29	Lower Guide Rail - High Speed - 15needles	01213116	21061V1	51	Locating Block Torsional Spring	03081503
21061V1	34	Philip's Head Screw M4x12— Stainless Steel	80813412	21061V1	55	Door Magnet Aluminium Block	01227105
21061V1	36	Philip's Head Screw M4x16 - Black	80810416	21061V1	57	Color Changing Aluminium Plate - 12	01213121
21061V1	37	Philip's Head Screw M4x20 - Black	80810420	21061V1	57	Color Changing Aluminium Plate - 15	01213122
21061V1	38	Spring Washer M4- Black	80900413	21061V1	57	Color Changing Plate Assembly -12 - Bearing	03081282
21061V1	39	Hexagon Socket Set Screw M5×5- Black	80880505	21061V1	57	Color Changing Plate Assembly -15 - Bearing	03081215
21061V1	41	Countersink Slotted Screw 9/64 X 8- Nickel Plated	80924122	21061V1	58	Philip's Head Screw M4x10— Black	80810410
21061V1	50	Locating Block of Take-Up-Lever	01213312				

21070V1- Hook System - Narrow Arm



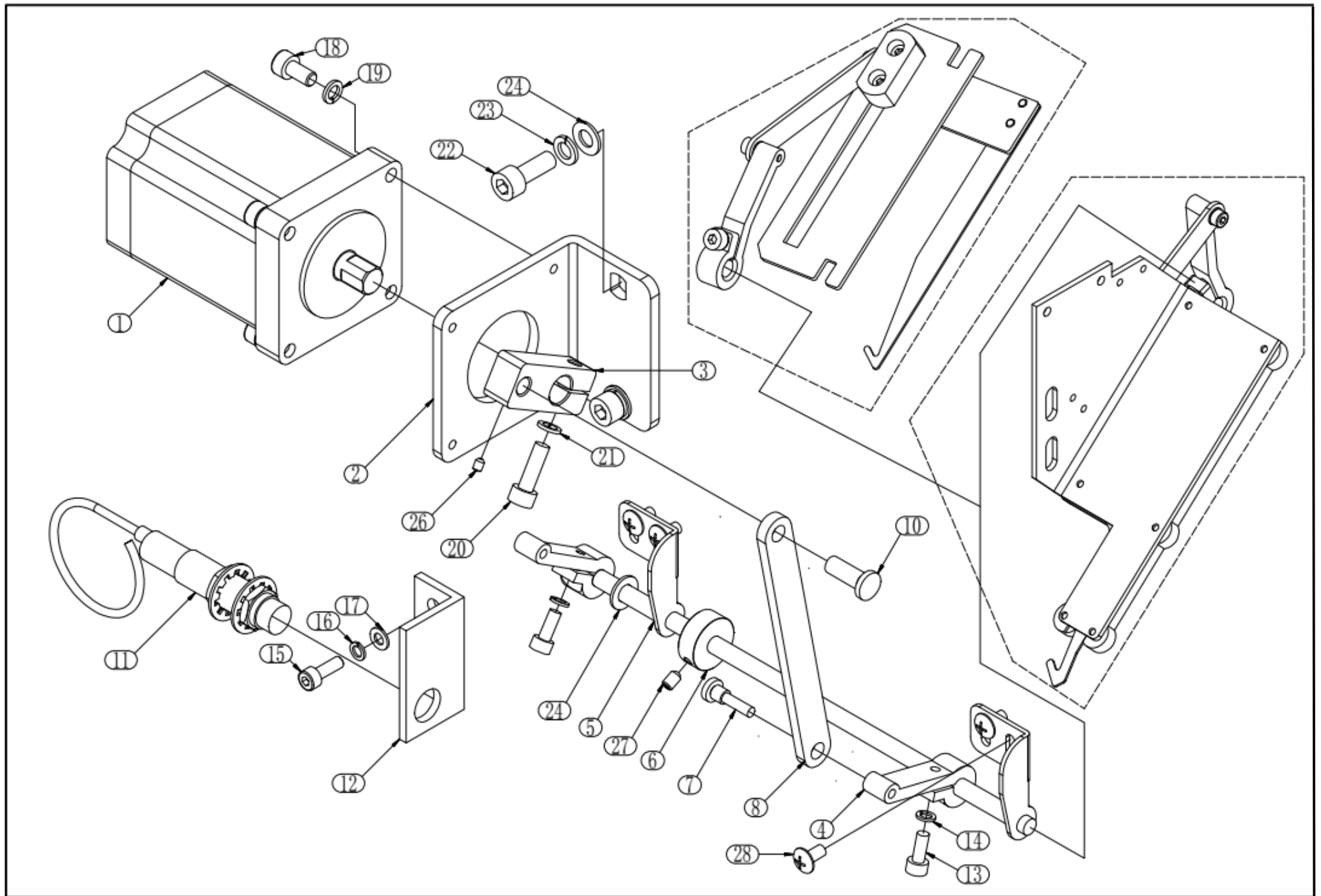
21071V1- Spindle Hook-Line - Wide Arm



21071V1- Spindle Hook-Line - Wide Arm

Drawing No.	Ref. No.	Part Name / Specification	Part No.	Drawing No.	Ref. No.	Part Name / Specification	Part No.
21071V1	1	Line-Hook Guide	01430631				
21071V1	2	Line-Hook Bracket	01430634				
21071V1	3	Line Hook	01430623				
21071V1	4	Hex Socket Cap Screw M3x14	80810314				
21071V1	5	Washer M3 – Stainless Steel	80900308				
21071V1	6	Nut M3 – Stainless Steel	80900328				
21071V1	7	Line Hook Spindle Driving Arm	01430521				
21071V1	8	Line Hook Connecting Rod - Long	01430633				
21071V1	9	Cylinder Set - 3	01430528				
21071V1	10	T-Head Self-Tapping Cross Screw 3x14 - Nickel Plated	80700414				
21071V1	12	Spring Washer M4 - Black	80900403				
21071V1	13	Hex Socket Cap Screw M4x10 - Black	80810410				
21071V1	15	Line Hook Fixed Block	01430622				
21071V1	16	Hex Socket Cap Screw M3x8 – Stainless Steel	80813308				
21071V1	17	Copper Washer 3-4-5.9	01430624				

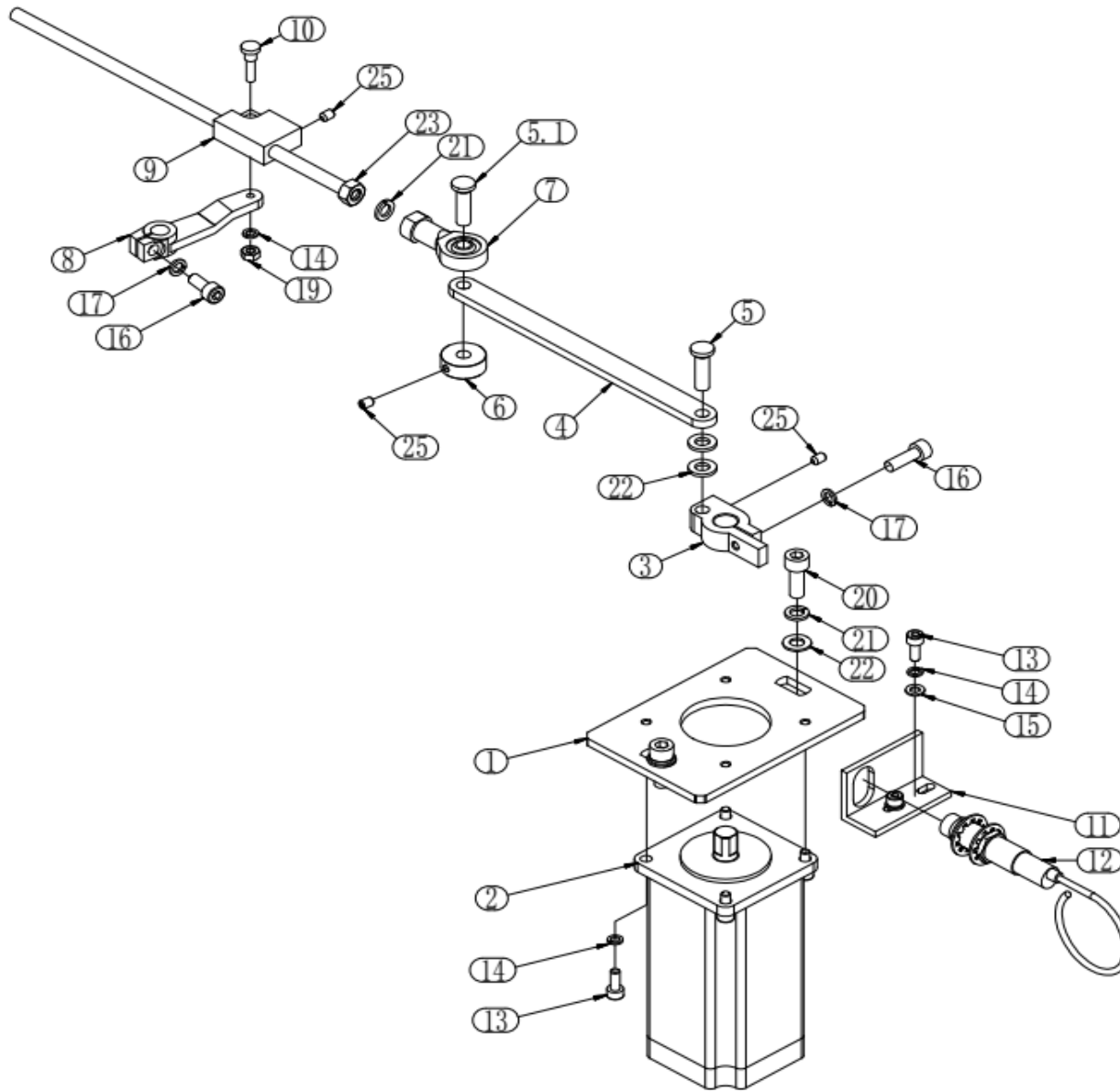
21080V1 Spindle Hook-Line Drive



21080V1 Spindle Hook-Line Drive

Drawing No.	Ref. No.	Part Name / Specification	Part No.	Drawing No.	Ref. No.	Part Name / Specification	Part No.
21080V1	1	Hooking Motor 57BYGH80D10-15	80305761	21080V1	16	Spring Washer M4 – Stainless Steel	80900418
21080V1	2	Thread Cut Motor Frame	01430522	21080V1	17	Washer M4 – Stainless Steel	80900408
21080V1	3	Thread Cut Driving Arm	01430525	21080V1	18	Hex Socket Cap Screw M5x16 – Stainless Steel	80813516
21080V1	4	Driving Arm - Driven Shaft	01430516	21080V1	19	Spring Washer M5 – Stainless Steel	80900518
21080V1	5	Bracket - Hook-Line Shaft	01430512	21080V1	20	Hex Socket Cap Screw M5x16 - Black	80810516
21080V1	6	Axis Checking Ring- 6	01430509	21080V1	21	Spring Washer M5 - Black	80900513
21080V1	7	Shaft Shoulder Screw M4x12-5x4.2	80924211	21080V1	22	Hex Socket Cap Screw M6x16 – Stainless Steel	80813616
21080V1	8	Hook-Line Motor Connecting Rod	01430506	21080V1	23	Spring Washer M6 - Stainless Steel	80900618
21080V1	10	Hook-Line Driving Arm Pin -16	01430504	21080V1	24	Washer M6 - Stainless Steel	80900601
21080V1	11	Cylinder Proximity Switch NPN	80333602	21080V1	26	Hexagon Socket Set Screw M3×4- Black	80880304
21080V1	11	Cylinder Proximity Switch PNP	80333602AB				
21080V1	12	Proximity Switch Bracket	01430507				
21080V1	13	Hex Socket Cap Screw M4x10 - Black	80810410				
21080V1	14	Spring Washer M4 - Black	80900403				
21080V1	15	Hex Socket Cap Screw M4x12 – Stainless Steel	80813412				

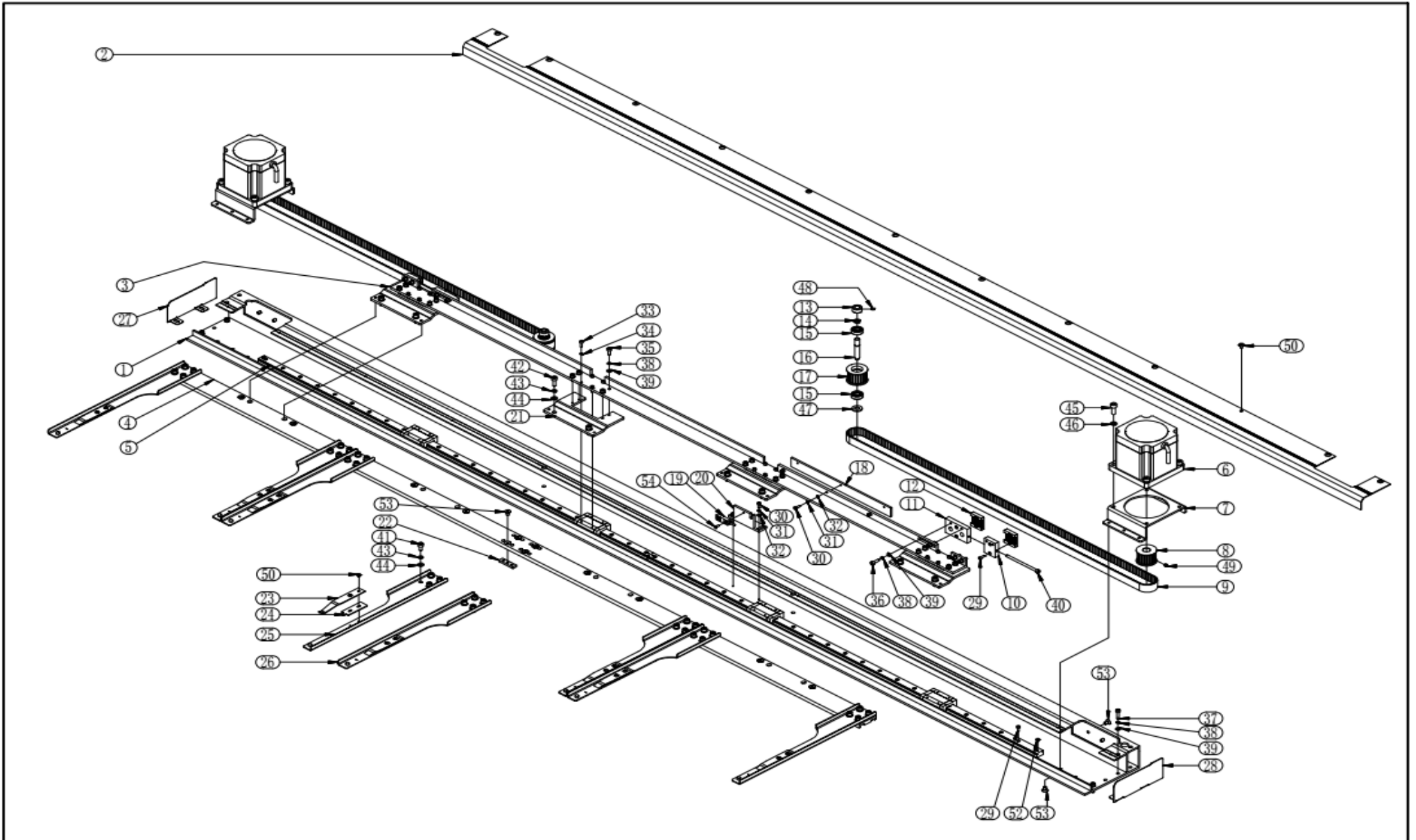
21090V1- Trimming System - 57



21090V1-Trimming System-57

Drawing No.	Ref. No.	Part Name / Specification	Part No.	Drawing No.	Ref. No.	Part Name / Specification	Part No.
21090V1	1	Trimming Motor Frame - 57	01400121	21090V1	12	Cylinder Proximity Switch PNP	80333602AB
21090V1	2	Trimming Motor 57BYGH112S8-15	80305760	21090V1	13	Hex Socket Cap Screw M4x10 - Stainless Steel	80813410
21090V1	3	Thread Cut Driving Arm	01400103	21090V1	14	Spring Washer M4 - Stainless Steel	80900418
21090V1	4	Thead Cut Draw Bar -130	01400107	21090V1	15	Washer M4 - Stainless Steel	80900408
21090V1	5	Thead Cut Driving Arm - 20	01400102	21090V1	16	Hex Socket Cap Screw M5x12 - Black	80810512
21090V1	5.1	Thead Cut Driving Arm - 24	01400108	21090V1	17	Spring Washer M5 - Black	80900513
21090V1	6	Axis Checking Ring - 6	01430509	21090V1	19	Nut-M4 Stainless Steel	80900428
21090V1	7	Oscillating Bearing	01400155	21090V1	20	Hex Socket Cap Screw M6x16 – Stainless Steel	80813616
21090V1	8	Thead Cut Link Rod	03021211	21090V1	21	Spring Washer M6 – Stainless Steel	80900618
21090V1	9	Bar Axis Connecting Chuck	01400109	21090V1	22	Washer M6 – Stainless Steel	80900601
21090V1	10	Axis Shoulder Screw M4x13-5x5.5	80924212	21090V1	23	Nut M6 – Stainless Steel	80900628
21090V1	11	Proximity Switch Bracket	01400105	21090V1	25	Hexagon Socket Set Screw M5x8- Black	80880508
21090V1	12	Cylinder Proximity Switch NPN	80333602				

21100V1-C X-axis Drive System



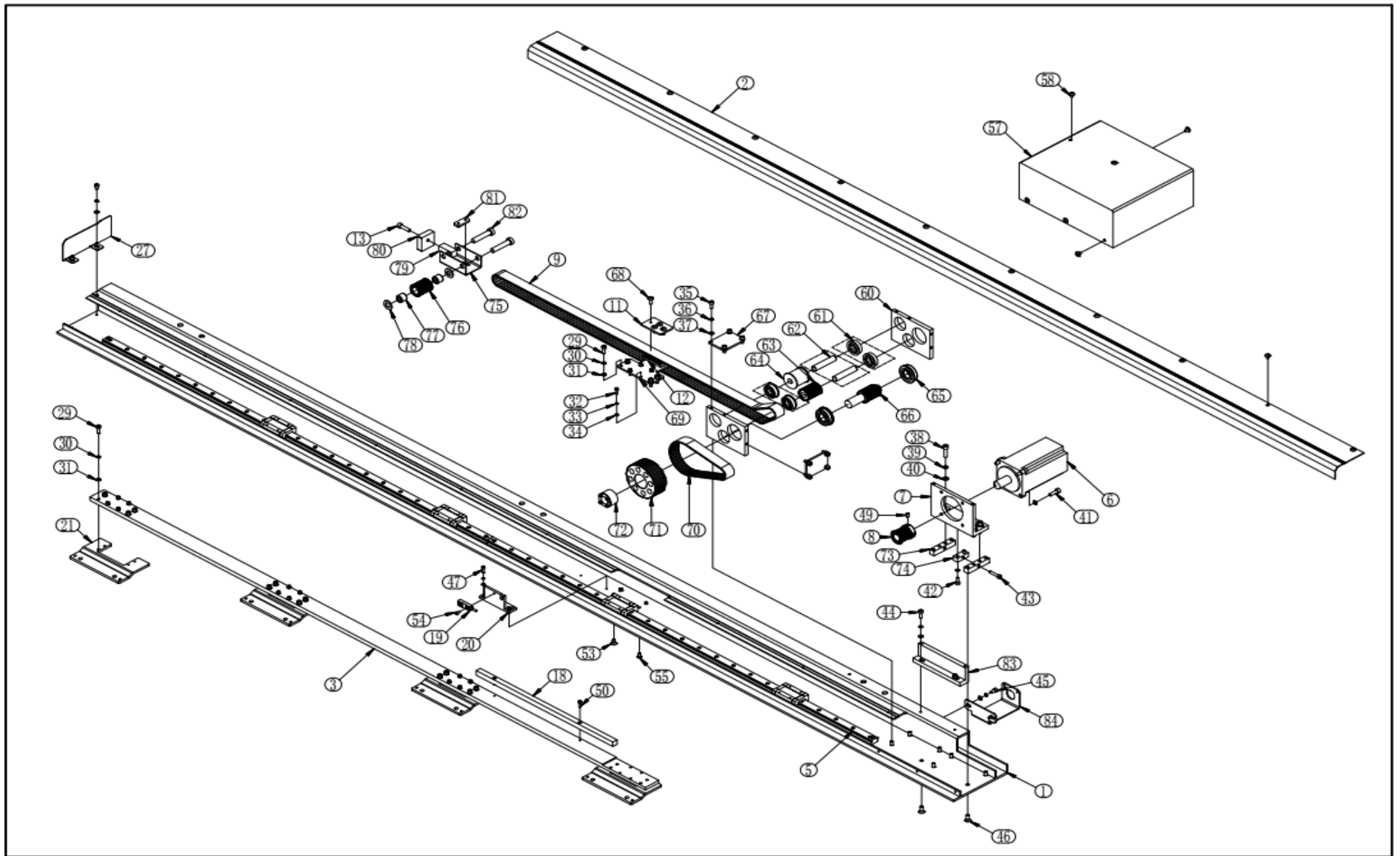
21100V1-C X-axis Drive System

Drawing No.	Ref. No.	Part Name / Specification	Part No.	Drawing No.	Ref. No.	Part Name / Specification	Part No.
21100V1	1	X-axis Drive Rack -1X450	210111*****	21100V1	16	Driven Wheel Axle	02512225
21100V1	2	X-axis Shaft Cover -1X450	210112*****	21100V1	17	Pulley 20-5M-22-DS19-6-T14	80025202
21100V1	3	Slide Presser Plate -1TX400	210113*****	21100V1	18	Limit Guard Sheet	02512211
21100V1	4	Connecting Plate - 1TX400	210114*****	21100V1	19	Proximity Switch	80333601
21100V1	5	Guide Rail	800152**	21100V1	20	Limit Switch Bracket	02512212
21100V1	6	Stepping Motor - 86BYG80S12-28	80308652	21100V1	21	X-axis Frame Connecting Plate	02513101
21100V1	6	Stepping Motor - 86BYG350AH	80308601	21100V1	22	Nut Plate	02540150
21100V1	7	Motor Mounting Panel – X-axis 86	02511150	21100V1	23	Spring Pressing Plate	02540131
21100V1	7	Motor Mounting Panel – X-axis 90	02511151	21100V1	24	Spring Washer	02540132
21100V1	8	Pulley 20-5M-22-T12	80025201	21100V1	25	Right Frame Holder	02540183CA
21100V1	9	Synchronous Belt HTD5M-16	80025182	21100V1	26	Left Frame Holder	02540184CA
21100V1	10	Belt Adjusting Dead Plate	02512222	21100V1	27	X-axis Shaft Cover - Left	02512204
21100V1	11	Belt Adjustment Sliding Board	02512226	21100V1	28	X-axis Shaft Cover - Right	02512203
21100V1	12	M5 Toothed Pressing Plate - X-CT	02512221	21100V1	29	Hex Socket Cap Screw M3×10- Black	80810310
21100V1	13	Stop Collar	01202204	21100V1	30	Hex Socket Cap Screw M3x8 - Nickel Plated	80813308
21100V1	14	E-Type Outside Clamp Spring 8-7	80030871	21100V1	31	Spring Washer M3 – Chroming Plated	80900318
21100V1	15	Deep Groove Ball Bearing 19-8-6	80030822	21100V1	32	Washer M3 – Chroming Plated	80900308

21100V1-C X-axis Drive System

21100V1	33	Hex Socket Cap Screw M3x10 - Black	80810310	21100V1	44	Washer M5 – Stainless Steel	80900508
21100V1	34	Spring Washer M3 - Black	80900313	21100V1	45	Hex Socket Cap Screw M6x18 - Nickel Plated	80813616
21100V1	35	Hex Socket Cap Screw M4x10 - Nickel Plated	80813410	21100V1	46	Spring Washer M6 – Stainless Steel	80900618
21100V1	36	Hex Socket Cap Screw M4x12 - Nickel Plated	80813412	21100V1	47	Washer M5 - Stainless Steel	80900608
21100V1	37	Hex Socket Cap Screw M4x14 - Nickel Plated	80813414	21100V1	48	Hexagon Socket Set Screw M3×5- Black	80880305
21100V1	38	Spring Washer M4 – Stainless Steel	80900418	21100V1	49	Hexagon Socket Set Screw M5×6- Black	80880506
21100V1	39	Washer M4 – Stainless Steel	80900408	21100V1	50	Philip’s Head Screw M4x8- Nickel Plated	80746408
21100V1	40	Hex Socket Cap Screw M4x70 - Black	80810470	21100V1	52	Philip’s Head Screw M3x6- Nickel Plated	80744306
21100V1	41	Hex Socket Cap Screw M5x12 - Nickel Plated	80813512	21100V1	53	Countersink Hex Socket Cap Screw M5×8 - Nickel Plated	80866508
21100V1	42	Hex Socket Cap Screw M5x14 - Nickel Plated	80813514	21100V1	54	Countersink Philip’s Head Screw M3×8- Nickel Plated	80860328
21100V1	43	Spring Washer M5 – Stainless Steel	80900518				

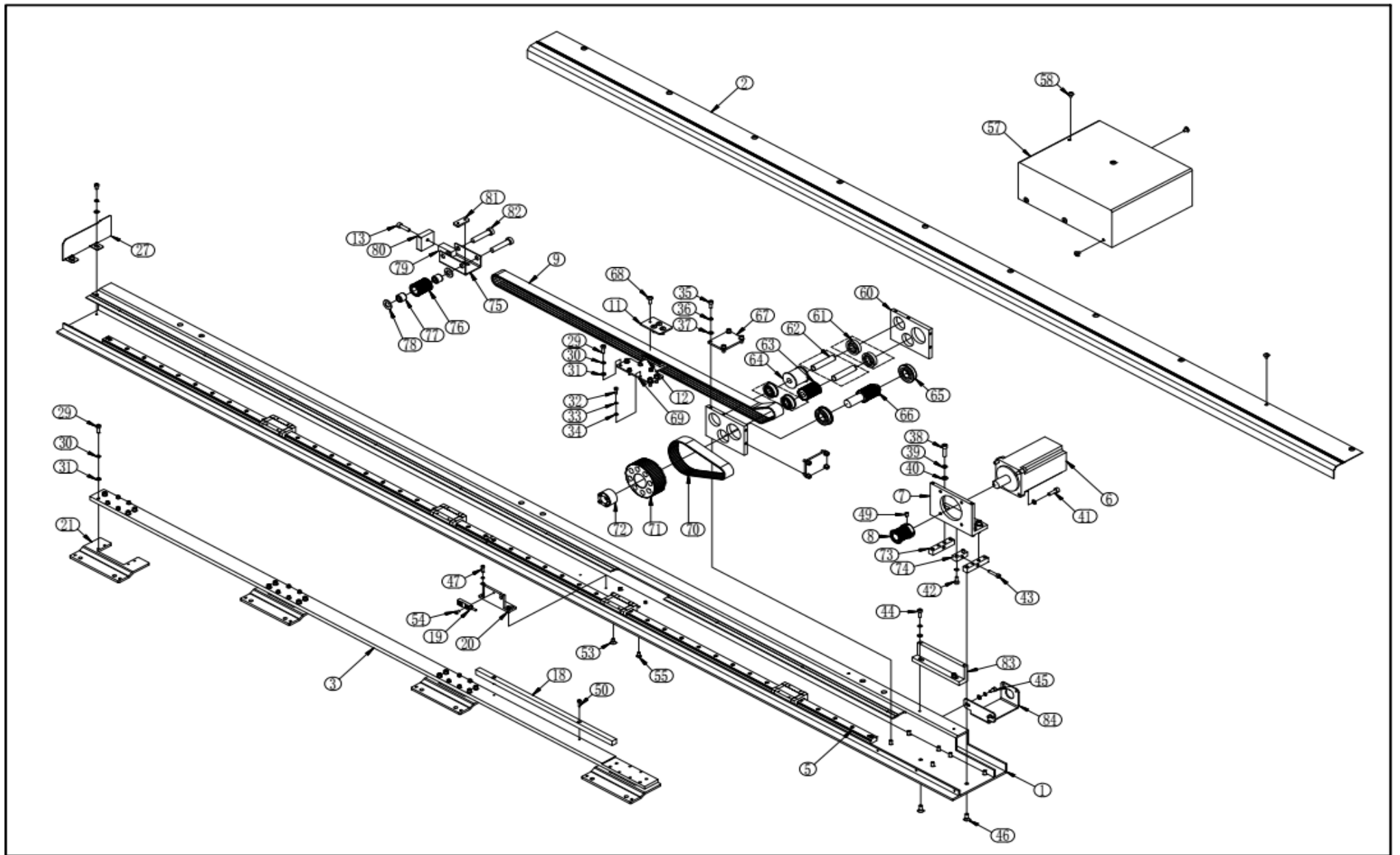
21101V1-CTS X-axis Drive System Fig. II



21101V1-CTS X-axis Drive System Fig. II

Drawing No.	Ref. No.	Part Name / Specification	Part No.	Drawing No.	Ref. No.	Part Name / Specification	Part No.
21101V1	1	X-axis Drive Rack -2CTSX400	210111*****	21101V1	32	Hex Socket Cap Screw M3x12 – Stainless Steel	80813312
21101V1	2	X-axis Shaft Cover	210112*****	21101V1	33	Spring Washer M3 – Stainless Steel	80900318
21101V1	3	Slide Presser Plate -2CTSX400	210113*****	21101V1	34	Washer M3 – Stainless Steel	80900308
21101V1	6	Servo Motor 400W	80310361	21101V1	35	Hex Socket Cap Screw M4x12 – Black	80810412
21101V1	7	Motor Mounting Panel	02513613	21101V1	36	Spring Washer M4 - Black	80900413
21101V1	8	Motor Belt Wheel 3M-25-20CF-31.5	80023701	21101V1	37	Washer M4 - Black	80900403
21101V1	9	Synchronous Belt 3M-25	80023583	21101V1	38	Hex Socket Cap Screw M5x14 - Black	80810514
21101V1	11	Belt Pressing Plate -X	02513636	21101V1	39	Spring Washer M5 - Black	80900513
21101V1	12	X-axis Belt Pressing Plate -3M-SF	03105104	21101V1	40	Washer M5 -Black	80900501
21101V1	13	Hex Socket Cap Screw M5x20- Black	80810520	21101V1	41	Hex Socket Cap Screw M5x12 - Black	80810512
21101V1	19	Proximity Switch	80333601	21101V1	42	Hex Socket Cap Screw M4x10 - Black	80810410
21101V1	20	Limit Switch Bracket	0221181043	21101V1	43	Hex Socket Cap Screw M4x20 - Black	80810420
21101V1	21	X-axis Frame Connecting Plate	02513101	21101V1	44	Hex Socket Cap Screw M5x12 – Stainless Steel	80813512
21101V1	27	X-axis Shaft Cover - Left	02512204	21101V1	45	Hex Socket Cap Screw M5x10 – Stainless Steel	80813510
21101V1	29	Hex Socket Cap Screw M4x14 – Stainless Steel	80813414	21101V1	46	Countersink Hex Socket Cap Screw M5×12 – Stainless Steel	80866512
21101V1	30	Spring Washer M4 – Stainless Steel	80900418	21101V1	47	Hex Socket Cap Screw M3x8 – Stainless Steel	80813308
21101V1	31	Washer M4 – Stainless Steel	80900408	21101V1	49	Hexagon Socket Set Screw M5x6-Black	80880506

21101V1-CTS X-axis Drive System Fig. II

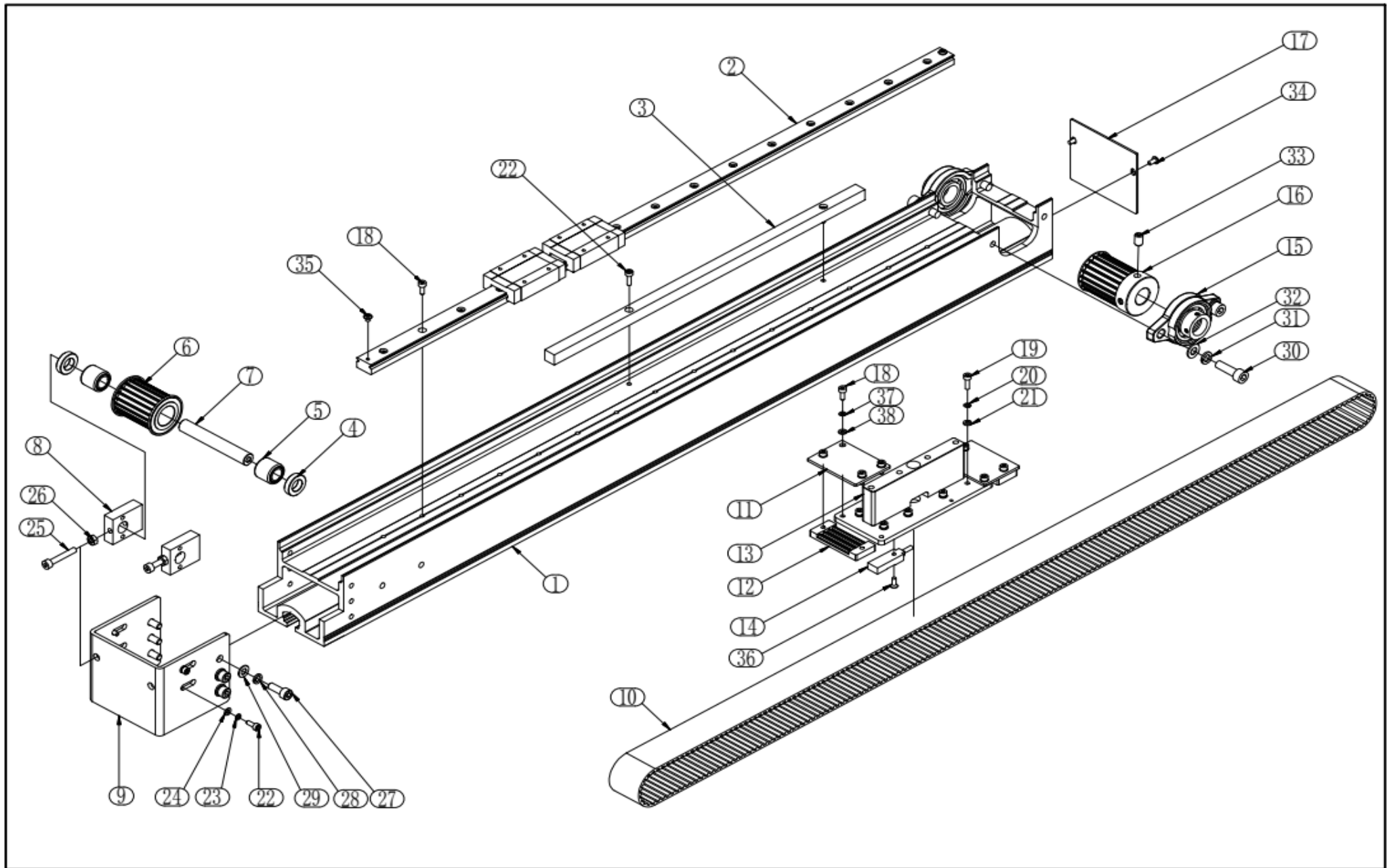


21101V1-CTS X-axis Drive System Fig. II

21101V1	50	Philip's Head Screw M4x8- Nickel Plated	80746408
21101V1	53	Countersink Hex Socket Cap Screw M5×8 - Nickel Plated	80866508
21101V1	54	Countersink Philip's Head Screw M3×8- Nickel Plated	80860328
21101V1	55	Countersink Hex Socket Cap Screw M4×8 - Nickel Plated	80860408
21101V1	57	Housing - X Belt Wheel Box	02513617
21101V1	60	Driving Wheel Bearing Seat	02513611
21101V1	61	Flange Roller Bearing 10 X 26 X 8	80031013
21101V1	62	Drive Shaft φ10-48	02513635
21101V1	63	Driven Belt Wheel -3M24	80023704
21101V1	64	Tension Pulley	02513628
21101V1	65	Flange Bearing 15 X 32 X 9	80031521
21101V1	66	Driving Belt Wheel -25-3M-25AS-74	80023703
21101V1	67	Bracket – Bearing Seat	02513612
21101V1	68	Philip's Head Screw M4x12 - Chroming Plated	80746412
21101V1	69	Belt Pressing Plate	02513616

21101V1	70	Deceleration Belt -3M-318	80023706
21101V1	71	Belt Wheel -72-3M-20AS-25	80023702
21101V1	72	Tensioning Plug -ZA-15x28	80031544
21101V1	73	Cushion Block – Motor Bracket	02513614
21101V1	74	Regulating Block	02513615
21101V1	75	Bracket –X Driven Belt Wheel	02513621
21101V1	76	Driven Belt Wheel 25-3M	80023705
21101V1	77	Needle Bearing 8-14-12	80030833
21101V1	78	Nylon Washer 16-8-2	80030861
21101V1	79	Tension Regulating Block	02513630
21101V1	80	Tension Fixed Block X Axis	02513629
21101V1	81	Tensioning Wheel Pressing Block	02513634
21101V1	82	Driven Wheel Shaft	02513627
21101V1	83	Bracket – X Reduction Gearbox	02513619

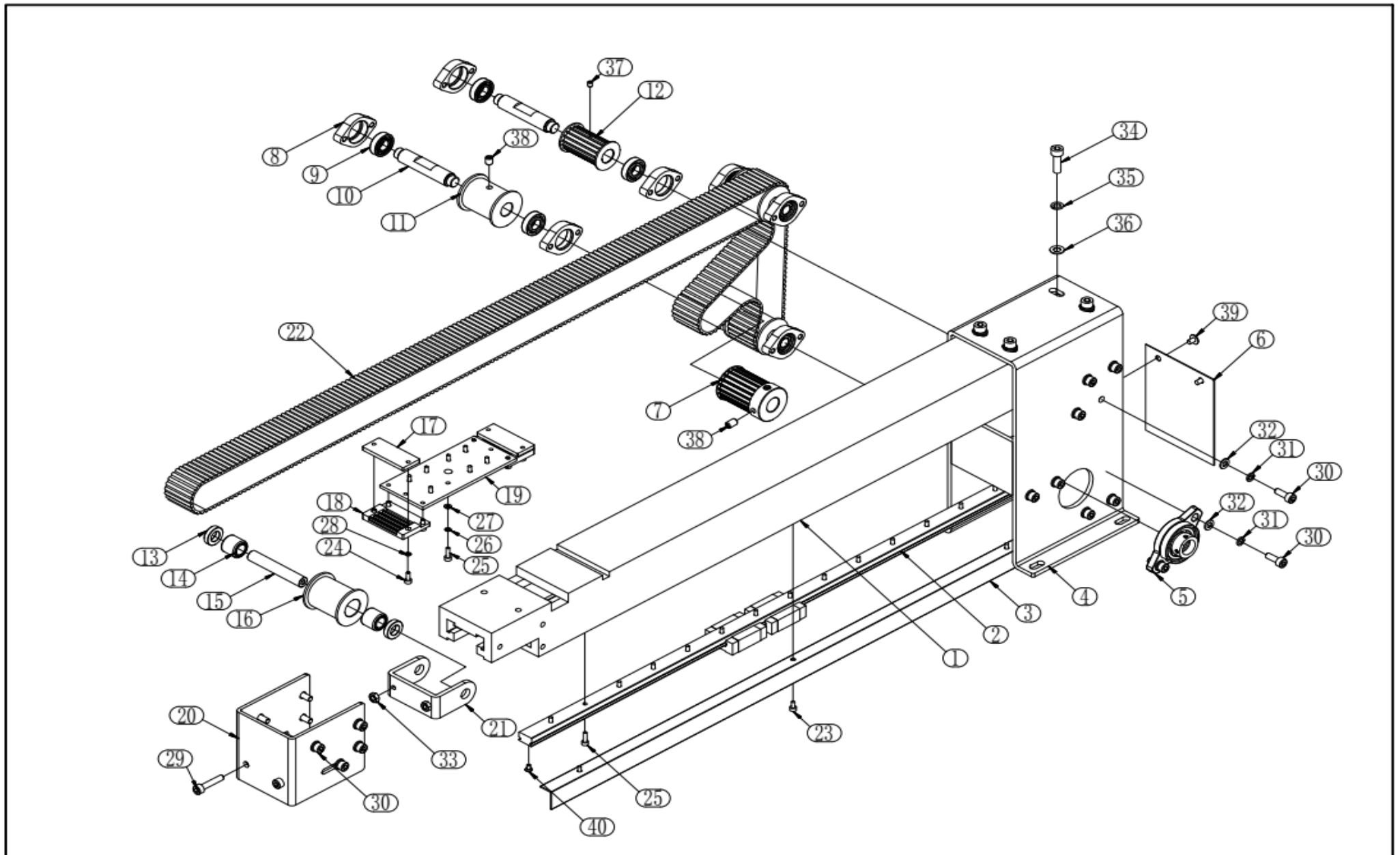
21110V1- Y-axis Side Drive System



21110V1- Y-axis Side Drive System

Drawing No.	Ref. No.	Part Name / Specification	Part No.	Drawing No.	Ref. No.	Part Name / Specification	Part No.
21110V1	1	Y-axis Frame Rail – Left & Right	02522111	21110V1	20	Spring Washer M3 - Black	80900313
21110V1	2	Linear Guide LB15SV-2-3-L600	80015251	21110V1	21	Washer M3 - Black	80900301
21110V1	3	Limit Sensor Bar	02520323	21110V1	22	Hex Socket Cap Screw M4x12 – Stainless Steel	80813412
21110V1	4	Nylon Washer 18-10-2	80031066	21110V1	23	Spring Washer M4 – Stainless Steel	80900418
21110V1	5	Needle Bearing 18-10-16	80031031AA	21110V1	24	Washer M4 – Stainless Steel	80900408
21110V1	6	Timing Belt Wheel 20-5M-36-17	80025226	21110V1	25	Hex Socket Cap Screw M4x30 – Stainless Steel	80813420
21110V1	7	Middle Drive Belt Axis – Y Axis	02520336	21110V1	26	Nut M4 - Stainless Steel	80900428
21110V1	8	Drive Belt Wheel Support	02520306	21110V1	27	Hex Socket Cap Screw M5x14 – Stainless Steel	80813514
21110V1	9	Drive Front Housing – RCM – Y Driving	02520321	21110V1	28	Spring Washer M5 - Stainless Steel	80900518
21110V1	10	Timing Belt – PU Green Cloth - 5M-30	02522150	21110V1	29	Washer M5 - Stainless Steel	80900518
21110V1	11	Belt Platen Connector	02520120	21110V1	30	Hex Socket Cap Screw M6x14 - Stainless Steel	80813614
21110V1	12	Gear Platen -5M-Y-CT	02520121	21110V1	31	Spring Washer M6 - Stainless Steel	80900618
21110V1	13	Belt Platen-Double Slider –26 in Height	02522590	21110V1	32	Washer M6 - Stainless Steel	80900601
21110V1	13	Belt Platen-Double Slider –36 in Height	02522590BA	21110V1	33	Hexagon Socket Set Screw M6x8-Black	80880608
21110V1	14	Limit Switch	80333601	21110V1	34	Philip's Head Screw M3x6- Nickel Plated	80746306
21110V1	15	Shaft 15 - Bearing with Housing UFL002	80039011	21110V1	35	Philip's Head Screw M3x6- Nickel Plated	80744306
21110V1	16	Timing Belt Wheel 20-5M-36-15	80025223	21110V1	36	Countersink Philip's Head Screw M3×6- Stainless Steel	80860326
21110V1	17	Middle Drive Rear Cover Plate - Aluminium Profile - Y	02520307	21110V1	37	Spring Washer M4 - Black	80900413
21110V1	18	Hex Socket Cap Screw M4x10 - Black	80810410	21110V1	38	Washer M4 - Black	80900403
21110V1	19	Hex Socket Cap Screw M3x10 - Black	80810310				

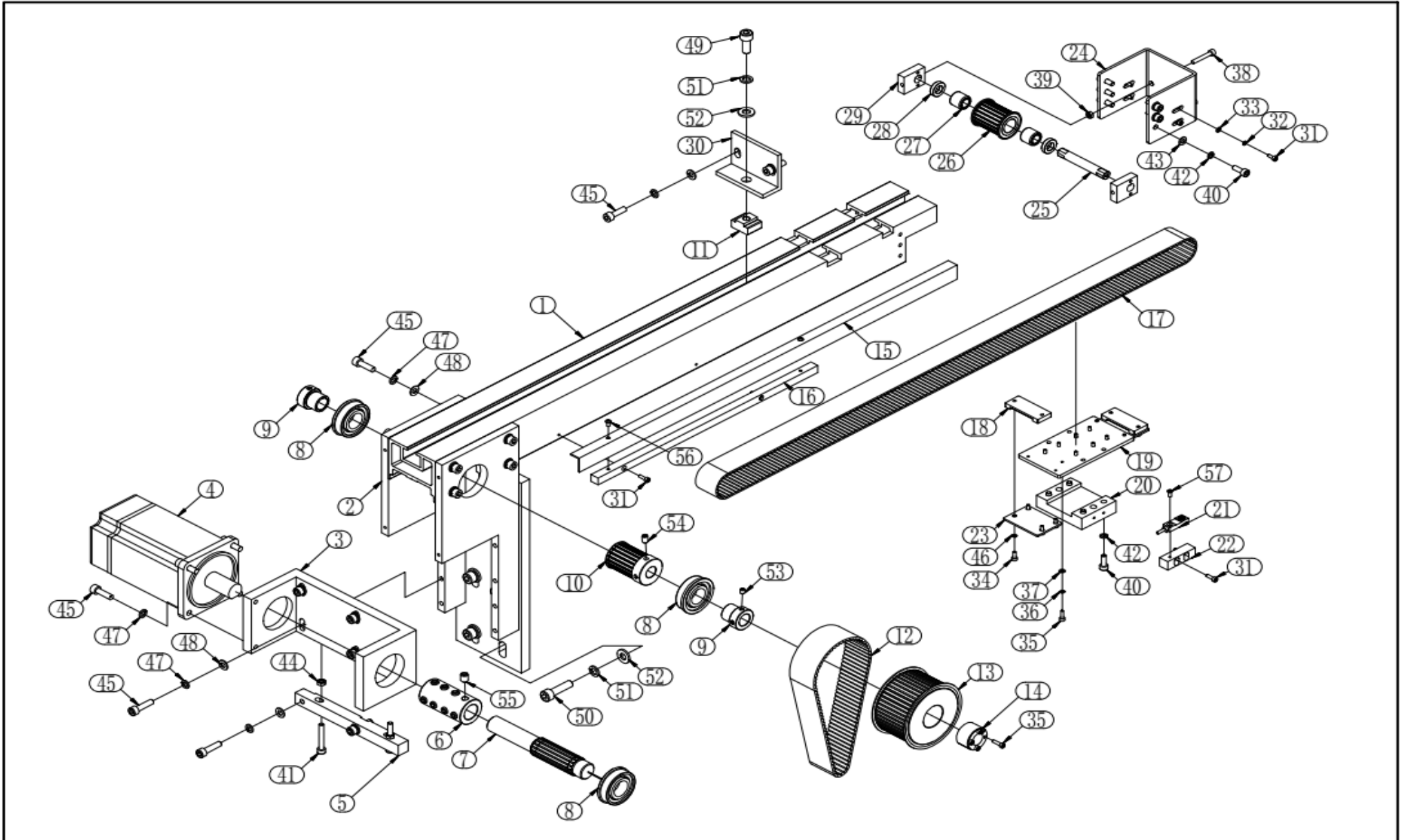
21120V1-C Y-axis Middle Drive System



21120V1-C Y-axis Middle Drive System

Drawing No.	Ref. No.	Part Name / Specification	Part No.	Drawing No.	Ref. No.	Part Name / Specification	Part No.
21120V1	1	Middle Guide Rail - 550	02523101	21120V1	21	Belt Wheel Support - Y Drive	02522102
21120V1	2	Middle Drive Rail LB15SV-3-1-L580	80015250	21120V1	22	Timing Belt – PU Green Cloth - 5M-30	02513150
21120V1	3	Drive Guide Rail Cover – Left/Right	02523112	21120V1	23	Hex Socket Cap Screw M3x10 – Stainless Steel	80813310
21120V1	4	Middle Driving Arm	02523130	21120V1	24	Hex Socket Cap Screw M4x10 –Black	80810410
21120V1	5	Ball Bearing with Seat 15	80039011	21120V1	25	Hex Socket Cap Screw M3x10 –Black	80810310
21120V1	6	Middle Drive Rear Cover	02523152	21120V1	26	Spring Washer M3 - Black	80900313
21120V1	7	Timing Belt Wheel 20-5M-36-15	80025223	21120V1	27	Washer M3 - Black	80900301
21120V1	8	Bearing Seat -22	80039122	21120V1	28	Spring Washer M4 - Black	80900413
21120V1	9	Deep Groove Ball Bearing 22-10-8	80031022	21120V1	29	Hex Socket Cap Screw M5x25 – Stainless Steel	80813525
21120V1	10	Middle Drive Belt Axis 10-13	02523131	21120V1	30	Hex Socket Cap Screw M5x14 - Stainless Steel	80813514
21120V1	11	Middle Drive Pulley	02523132	21120V1	31	Spring Washer M5 - Stainless Steel	80900518
21120V1	12	Timing Belt Wheel 16-5M-40-T13	80025210	21120V1	32	Washer M5 – Stainless Steel	80900501
21120V1	13	Nylon Washer 20-10.3-2	80031066	21120V1	33	Nut M5 – Stainless Steel	80900528
21120V1	14	Needle Bearing 17-10-15	80031031	21120V1	34	Spring Washer M6 - Stainless Steel	80813613
21120V1	15	Y Drive Belt Wheel Axis – Regulating Shaft	02522101	21120V1	35	Washer M6 - Stainless Steel	80900618
21120V1	16	Middle Drive-Driven Wheel	02523133	21120V1	36	Nut M6 - Stainless Steel	80900628
21120V1	17	Belt Clamp – Middle Drive	02523124	21120V1	37	Hexagon Socket Set Screw M4x6 - Black	80880406
21120V1	18	Belt Upper Platen – 5M - Middle	02523122	21120V1	38	Hexagon Socket Set Screw M6x8 - Black	80880608
21120V1	19	Middle Belt Platen	02523151	21120V1	39	Philip’s Head Screw M4x8- Nickel Plated	80746408
21120V1	20	Front Housing – Y Drive	02522121	21120V1	40	Philip’s Head Screw M3x8- Nickel Plated	80740308

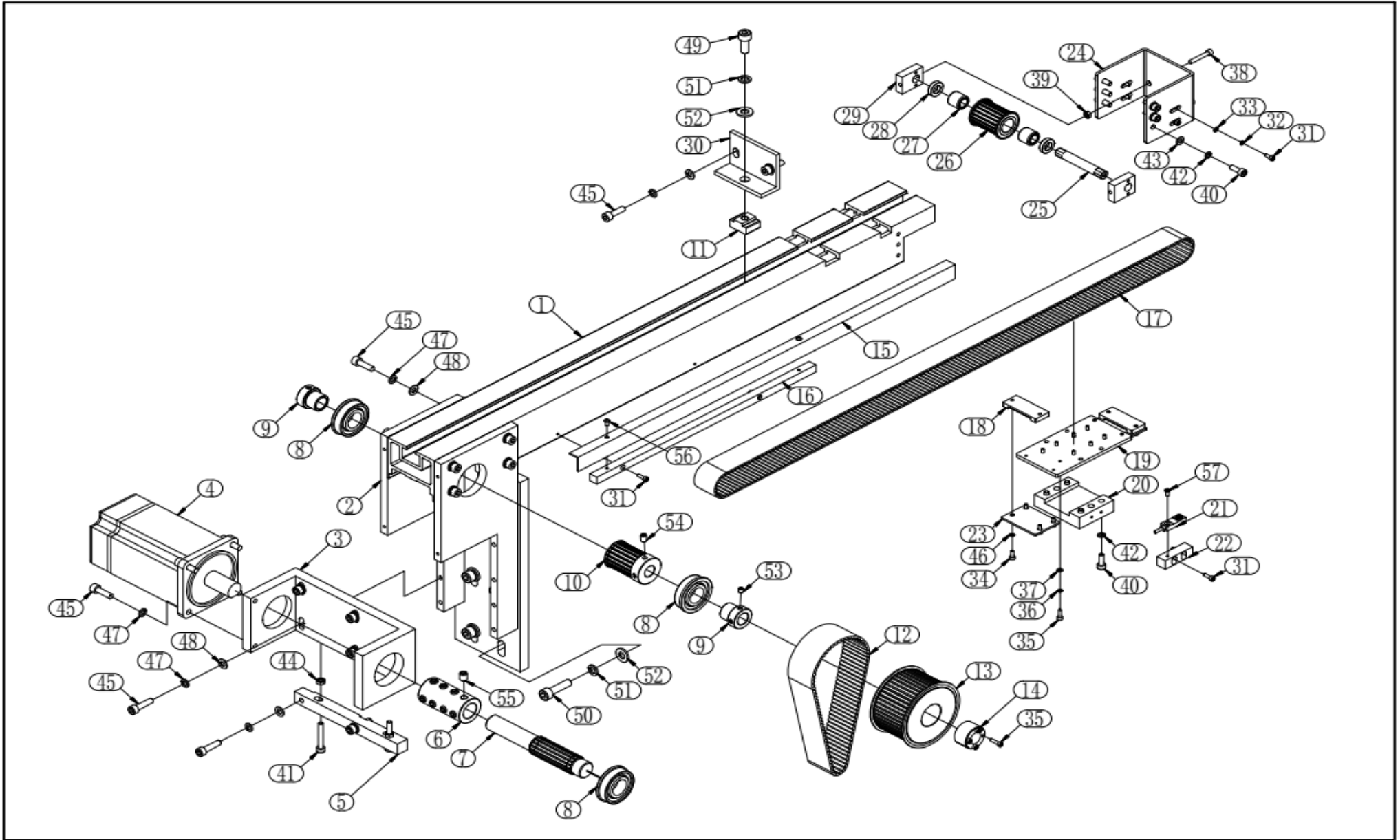
21121V1-CTS Y-Axis Drive System



21121V1-CTS Y-axis Drive System

Drawing No.	Ref. No.	Part Name / Specification	Part No.	Drawing No.	Ref. No.	Part Name / Specification	Part No.
21121V1	1	Y-Axis Guide Rail - Servo	02520305	21121V1	21	Proximity Switch	80031031AA
21121V1	2	Side Plate Guide Rail - Servo	02520342	21121V1	22	Proximity Switch Bracket	80031066
21121V1	3	Motor Bracket – Y-Axis - 750	02520337	21121V1	24	Drive Front Housing – RCM – Y Driving	02520306
21121V1	3	Motor Bracket – Y-Axis - 1000	02520337BA	21121V1	25	Drive Belt Axis - Y-Axis	02520326
21121V1	4	Servo Motor 0.75KW	80310362	21121V1	26	Timing Belt Wheel 20-5M-36-17	80813308
21121V1	4	Servo Motor 1.0KW	80310363	21121V1	27	Needle Bearing 18-10-16	80031031AA
21121V1	5	Motor Tensioning Block – Y-Axis	02520347	21121V1	28	Nylon Washer 18-10-2	80031066
21121V1	6	Coupling Sleeve - 19	80031911	21121V1	29	Drive Belt Wheel Support	02520306
21121V1				21121V1	30	Drive Bracket	02520326
21121V1	7	Belt Wheel 15-5M-46AS-138	80025355	21121V1	31	Hex Socket Cap Screw M3x8 - Nickel Plated	80813308
21121V1	8	Flange Bearing 20 X 42 X 12	80032023	21121V1	32	Spring Washer M4 - Nickel Plated	80900418
21121V1	9	Bearing Housing 15-20	80031502	21121V1	33	Washer M4 - Nickel Plated	80900408
21121V1	10	Timing Belt Wheel 20-5M-36-15	80025223	21121V1	34	Hex Socket Cap Screw M4x10 - Black	80810410
21121V1	11	Drive Guide Rail Fixture Block	02520340	21121V1	35	Hex Socket Cap Screw M3x12 - Black	80810312
21121V1	12	Rubber Timing Belt 5M-450-40	80025141	21121V1	36	Spring Washer M3 - Black	80900313
21121V1	13	Belt Wheel 50-5 Synchronous -40AF-47	80025356	21121V1	37	Washer M3 - Black	80900301
21121V1	14	Tensioning Sleeve -ZA-15x28	80031544	21121V1	38	Hex Socket Cap Screw M4x16 - Nickel Plated	80813416
21121V1	15	Limit Protection Cover Y-Axis	02520329	21121V1	39	Nut M4 - Nickel Plated	80900428
21121V1	16	Limit Aluminium Rod 320	02520323	21121V1	40	Hex Socket Cap Screw M5x16 - Nickel Plated	80813516
21121V1	17	Timing Belt – PU Green Cloth - 5M-30	02520350	21121V1	41	Hex Socket Cap Screw M6x35 - Nickel Plated	80813635
21121V1	18	Geat Platen -5M-Y-CT	02520121	21121V1	42	Spring Washer M5 - Nickel Plated	80900518
21121V1	19	Suspended Belt Clamp	02520327	21121V1	43	Washer M5 - Nickel Plated	80900501
21121V1	20	Link Block - Suspended	02520324	21121V1	44	Nut M6 - Nickel Plated	80900628

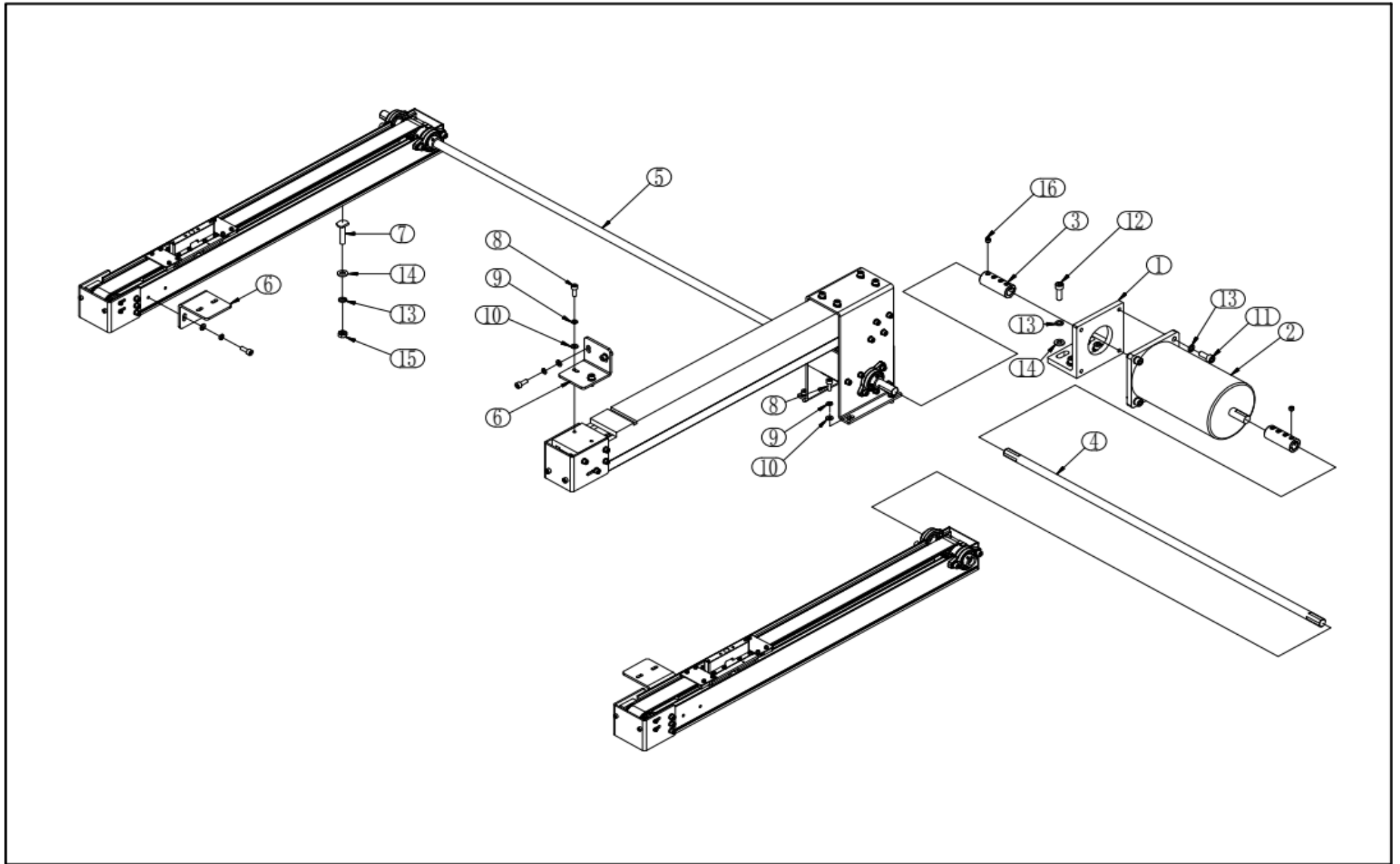
21121V1-CTS Y-Axis Drive System



21121V1-CTS Y-axis Drive System

21121V1	45	Hex Socket Cap Screw M6x25 - Nickel Plated	80813625	21121V1	50	Hex Socket Cap Screw M8x30 - Nickel Plated	80813830
21121V1	46	Spring Washer M4 - Black	80900413	21121V1	51	Spring Washer M8 - Nickel Plated	80900818
21121V1	47	Spring Washer M6 - Nickel Plated	80900618	21121V1	52	Washer M8 - Nickel Plated	80900802
21121V1	48	Washer M6 - Nickel Plated	80900601	21121V1	53	Hex Socket Cap Screw M5x6 - Black	80880506
21121V1	49	Hex Socket Cap Screw M8x20 - Nickel Plated	80813820	21121V1	54	Hex Socket Cap Screw M6x10 - Black	80880610

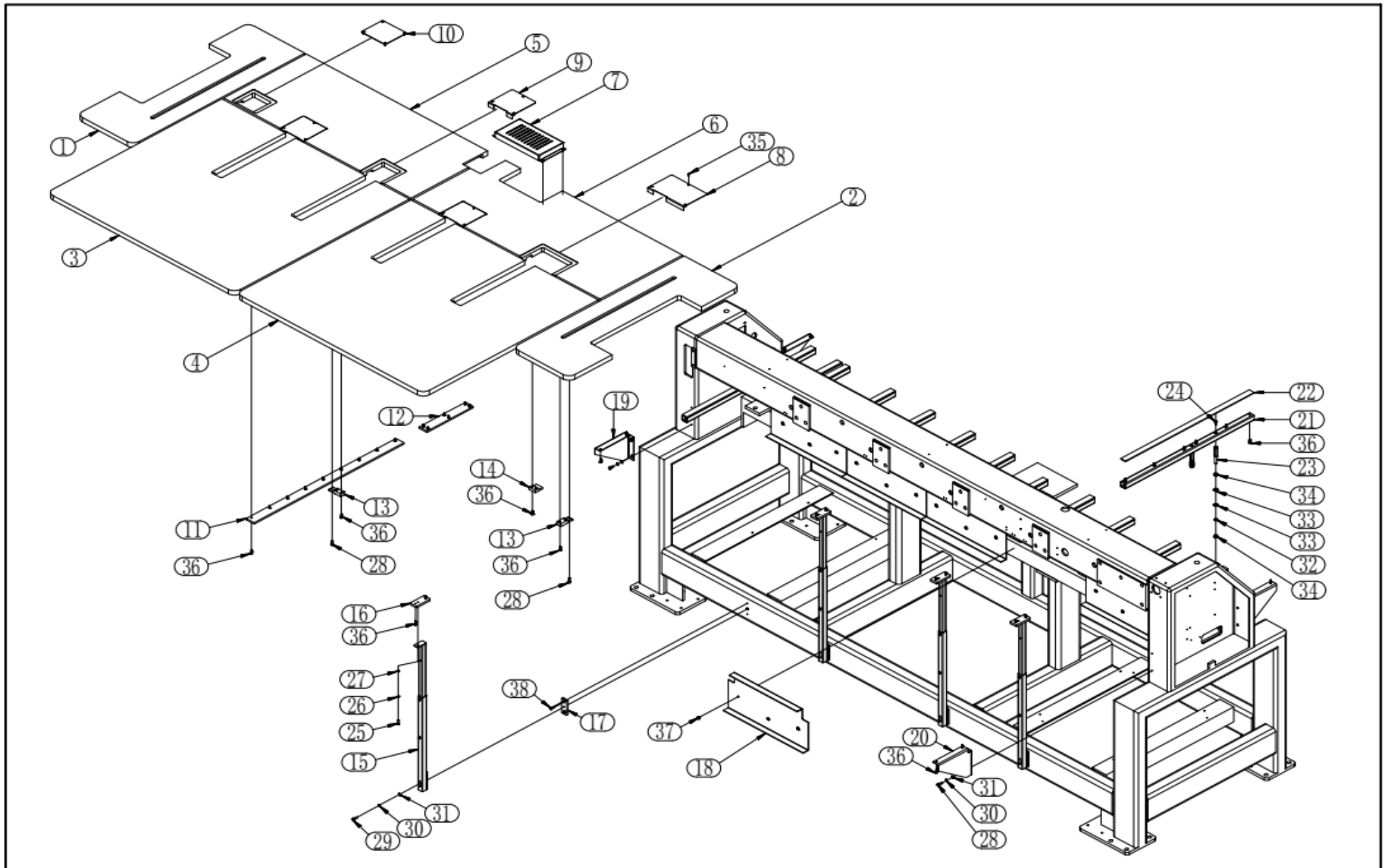
21123V1- Y-axis Drive System



21123V1- Y-axis Drive System

Drawing No.	Ref. No.	Part Name / Specification	Part No.	Drawing No.	Ref. No.	Part Name / Specification	Part No.
21123V1	1	Electric Rack - Y	02110603**	21123V1	9	Spring washer M6	80900618
21123V1	2	Stepping Motor	8030****	21123V1	10	Plain washer M6	80900605
21123V1	3	Coupling Sleeve 15-60	80031511	21123V1	11	Screw 8X25	80913825
21123V1	4	Drive Shaft -15-600	02524120	21123V1	12	Screw 8X25	80913825
21123V1	5	Drive Shaft -15-810	02524121	21123V1	13	Plain washer M8	80900801
21123V1	6	Drive Shaft -15-1130	02524105	21123V1	14	Spring washer M8	80900818
21123V1	7	Screw 8X50	80920305	21123V1	15	Nut M8	80900828
21123V1	8	Screw 6X14	80813614	21123V1	16	Screw M8X6	80880806

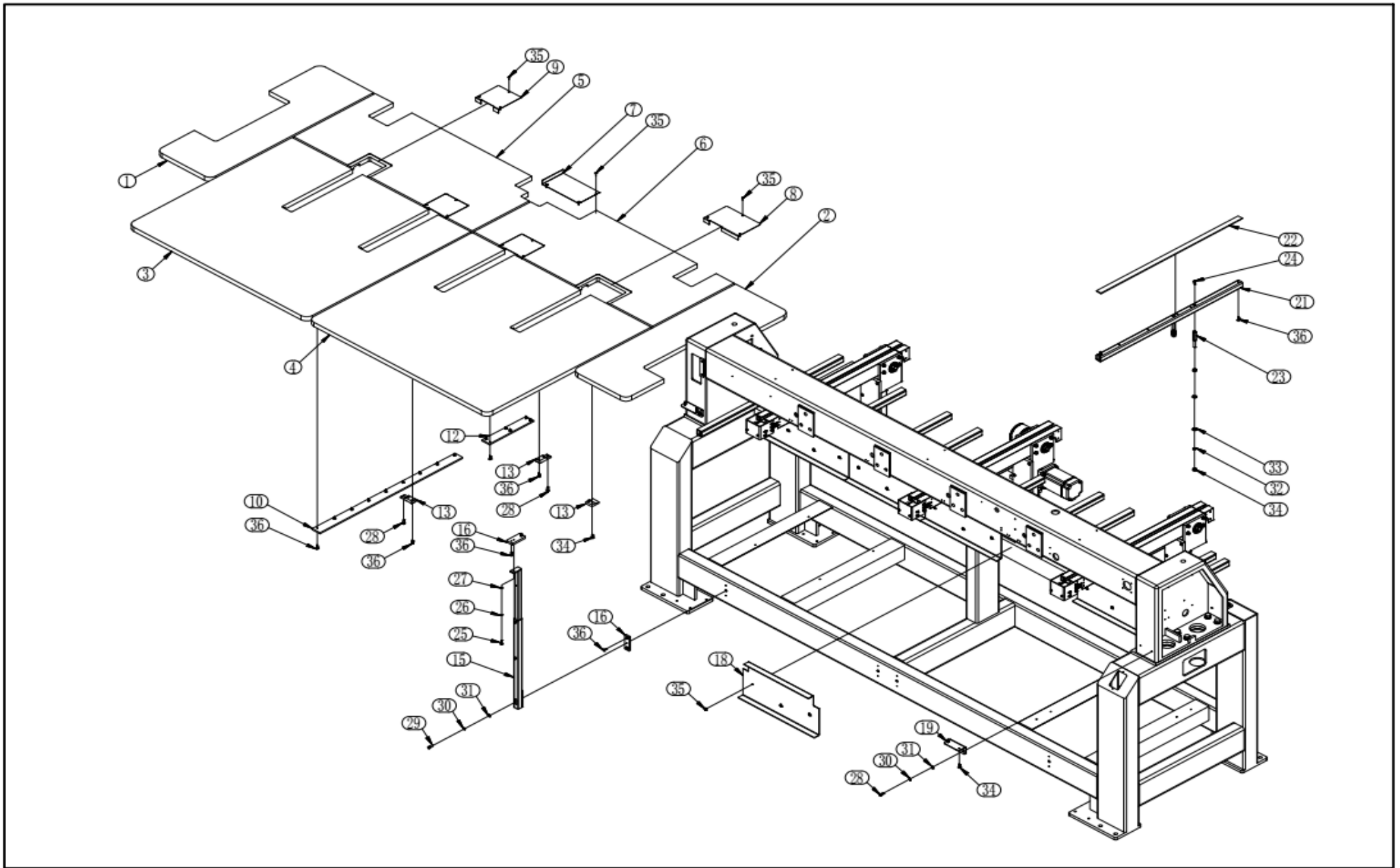
21130V1-C Table



21130V1-C Table

Drawing No.	Ref. No.	Part Name / Specification	Part No.	Drawing No.	Ref. No.	Part Name / Specification	Part No.
21130V1	1-6	Complete Table	210141*****	21130V1	18	Lower Housing Left- T400-355	02701104
21130V1	7	Motor Housing	027031**	21130V1	18	Lower Housing Left- T400-380	02701102
21130V1	8	Small Shuttle Box Rear Cover - Encoder	02701002	21130V1	23	Table Support Bolt 75-M8x45	80920401BA
21130V1	9	Shuttle Box Rear Cover	02701003BA	21130V1	24	Hex Socket Cap Screw M5x14 - Black	80810514
21130V1	10	Cover Plate - Lower Axis	02701030	21130V1	25	Hex Socket Cap Screw M5x12 - Nickel Plated	80813512
21130V1	11	Table Fixing Plate - Front	02730203	21130V1	26	Spring Washer M5 - Nickel Plated	80900518
21130V1	12	Table Connecting Plate - Back	02730204	21130V1	27	Washer M5 - Nickel Plated	80900508
21130V1	13	Lower Fixture Block - Section Bar	02730212	21130V1	28	Hex Socket Cap Screw M6x12 - Nickel Plated	80813612
21130V1	14	Plastic Fixture Block	02730201	21130V1	29	Hex Socket Cap Screw M6x20 - Nickel Plated	80813620
21130V1	15	Middle Support	02730381	21130V1	30	Spring Washer M6 - Nickel Plated	80900618
21130V1	16	Table Support Seat	02730204	21130V1	31	Washer M6 - Nickel Plated	80900608
21130V1	17	Rack Support Seat	02730301	21130V1	32	Spring Washer M8 - Nickel Plated	80900818
21130V1	18	Shuttle Box Lower Housing	027011**	21130V1	33	Washer M8 - Nickel Plated	80900808
21130V1	19	Table Side Support - Right	01540207	21130V1	34	Nut M8 - Nickel Plated	80900828
21130V1	20	Table Side Support - Left	01540206	21130V1	35	Self Tapping Countersunk Philip's Head Screw - Nickel Plated	80700302
21130V1	21	Both End Table Support	027301**	21130V1	36	Self Tapping Screw – Black 3.5x20	80700103
21130V1	22	Rubber Cushion - Length	027311**				

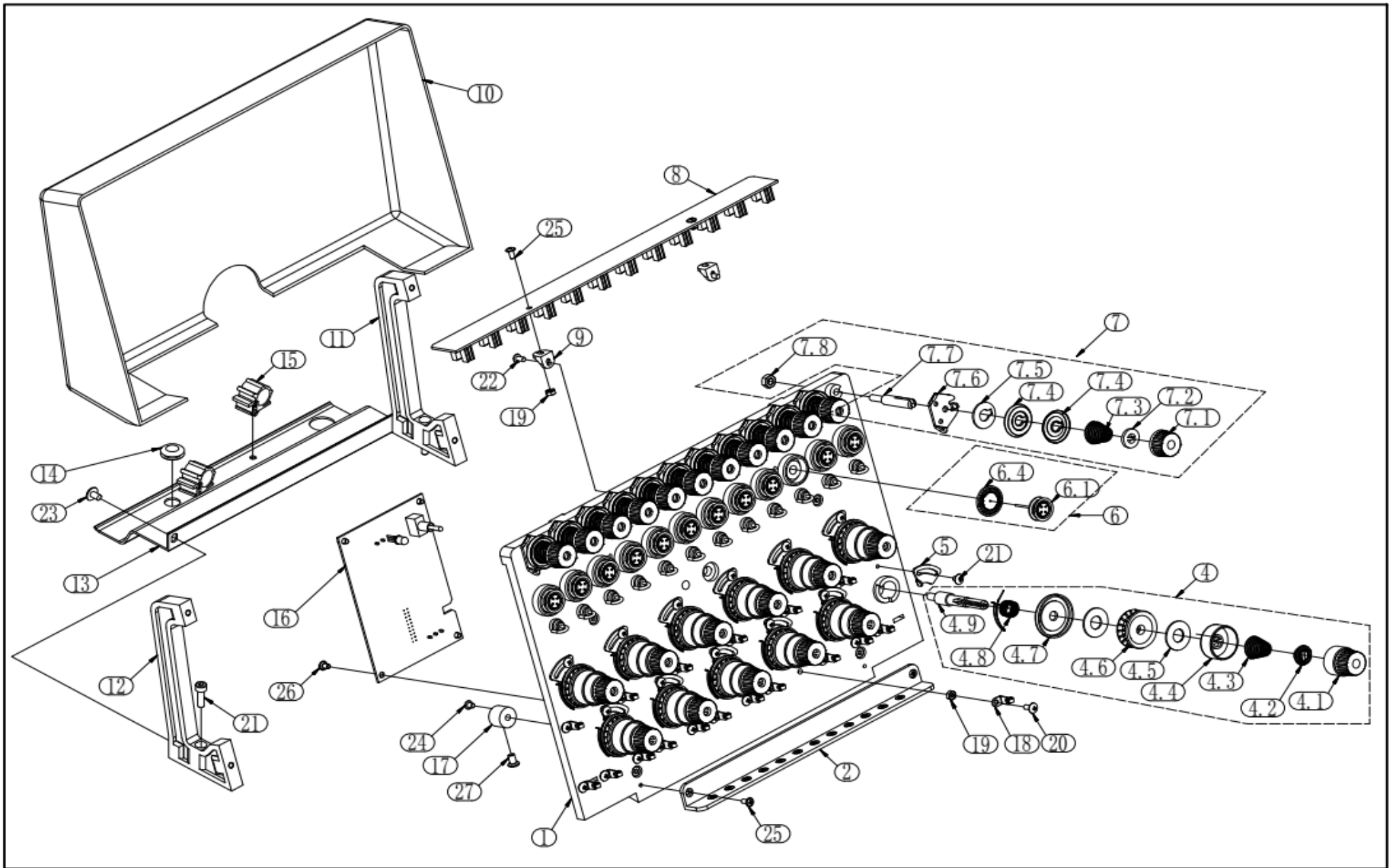
21131V1-CTS Table



21131V1-CTS Table

Drawing No.	Ref. No.	Part Name / Specification	Part No.		Drawing No.	Ref. No.	Part Name / Specification	Part No.
21131V1	1	Complete Table - Type	210241*****		21131V1	21	Both End Table Support	210242*****
21131V1	9	Shuttle Box Rear Cover	02701003BA		21131V1	23	Table Support Bolt 75-M8x45	80920401BA
21131V1	10	Table Fixing Plate - Front	02730203		21131V1	24	Hex Socket Cap Screw M5x14 - Black	80810514
21131V1	12	Table Connecting Plate - Back	02730204		21131V1	25	Hex Socket Cap Screw M5x12 - Nickel Plated	80813512
21131V1	13	Lower Fixture Block - Section Bar	02730212		21131V1	26	Spring Washer M5 - Nickel Plated	80900518
21131V1	14	Plastic Fixture Block	02730201		21131V1	27	Washer M5 - Nickel Plated	80900501
21131V1	15	Middle Support	02730381		21131V1	28	Hex Socket Cap Screw M6x12 - Nickel Plated	80813612
21131V1	16	Table Support Seat	02730204		21131V1	29	Hex Socket Cap Screw M6x16 - Nickel Plated	80813616
21131V1	17	Rack Support Seat	02730301		21131V1	30	Spring Washer M6 - Nickel Plated	80900618
21131V1	18	Shuttle Box Lower Housing -Right - T400-420	02701120		21131V1	31	Washer M6 - Nickel Plated	80900601
21131V1	18	Shuttle Box Lower Housing -Right -T500-520	02701122		21131V1	32	Spring Washer M8 - Nickel Plated	80900818
21131V1	18	Shuttle Box Lower Housing - Middle-T400-400	02701132		21131V1	33	Washer M8 - Nickel Plated	80900801
21131V1	18	Shuttle Box Lower Housing - Middle -T500-500	02701133		21131V1	34	Nut M8 - Nickel Plated	80900828
21131V1	18	Shuttle Box Lower Housing Left-T400-420	02701121		21131V1	35	Self Tapping Countersunk Philip's Head Screws - Nickel Plated	80700312
21131V1	18	Shuttle Box Lower Housing Left -T500-520	02701123		21131V1	36	Self Tapping Screws – Black 3.5x20	80700103
21131V1	19	Rack Support Rack	02730133					

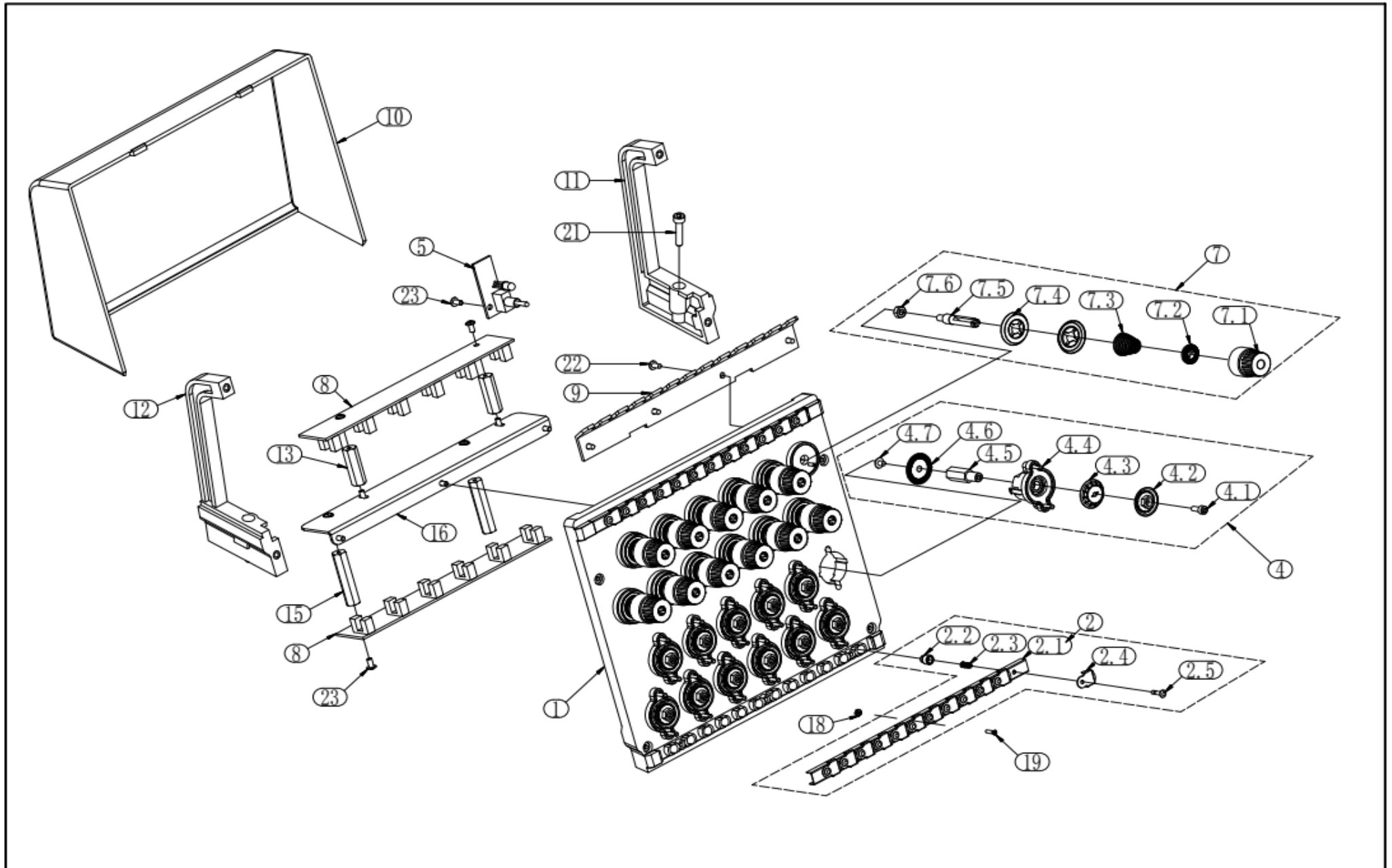
21140V1- Thread Tension Base – Wheel + Spring



21140V1-Thread Tension Base - Wheel + Spring

Drawing No.	Ref. No.	Part Name / Specification	Part No.	Drawing No.	Ref. No.	Part Name / Specification	Part No.
21140V1	1	Wire Guide Plate – Wheel Spring -12	80210112	21140V1	7.8	Nut M4 – Stainless Steel	80900428
21140V1	2	12-Needle Thread-Clamping Strap	80210510	21140V1	8	Breakage Inspection PCB Board – Wheel Spring - 12-DJP122	8045090112
21140V1	4	Tightener Module	80211180	21140V1	8	Breakage Inspection PCB Board 12 Needles EF117	80230712
21140V1	4.1	Tension Regulator	80211121	21140V1	9	PCB Support - Breakage Inspection PCB Board	80210106
21140V1	4.2	Lock Washer	80211108	21140V1	10	Thread Guide Housing – 12 Needles	80210103
21140V1	4.3	Big Tension Spring	80211106	21140V1	11	Bracket	80210307
21140V1	4.4	Tight Sleeve	80211122	21140V1	13	Thread Bracket of Arm -12 Needles	01222212
21140V1	4.5	Washer	80211104	21140V1	14	Snap Bushing - 8	80390916
21140V1	4.6	Plastic Wire Roller	80211105	21140V1	15	Two-Stage Cable Clamp - 1214	80390431
21140V1	4.7	Insulating Washer A	80211131	21140V1	16	PCB Board– Wheel Spring – 12 Needles	8045080101
21140V1	4.8	Thread Take-Up Spring	80211102	21140V1	16	Breakage Detection Rod	80230711
21140V1	4.9	Big Tension Bolt	80211101	21140V1	17	Breakage Detection Pin	80210105
21140V1	5	Locating Block	80211110	21140V1	18	Line Hook	80210104
21140V1	6	Breakage Detection Wheel Module	80211371	21140V1	19	Nut M3 - Nickel Plated	80900328
21140V1	7	Knob Module- Small	80210520	21140V1	20	Philip’s Head Screw M3x6- Nickel Plated	80746306
21140V1	7.1	Small Tension Regulator	80210504	21140V1	21	Hex Socket Cap Screw M4x12 - Nickel Plated	80813412
21140V1	7.2	Lock Ring– Small Knob	80210515	21140V1	22	Philip’s Head Screw M3x8- Nickel Plated	80746308
21140V1	7.3	Small Knob Tension Spring	80210516	21140V1	23	Philip’s Head Screw M4x8 - Nickel Plated	80746408
21140V1	7.4	Rotary Clamp Plate	80210513	21140V1	24	Flange Philip’s Head Screw M3x6 - Nickel Plated	80742306
21140V1	7.5	Small Knob Lock Ring	80210511	21140V1	25	Philip’s Head Screw M3x8 - Nickel Plated	80746308
21140V1	7.6	Thread Guide Plate	80210514	21140V1	26	Philip’s Head Screw M3x8- Nickel Plated	80744308
21140V1	7.7	Small Knob Tension Bolt	80210512	21140V1	27	Philip’s Head Screw M4x6- Nickel Plated	80744406

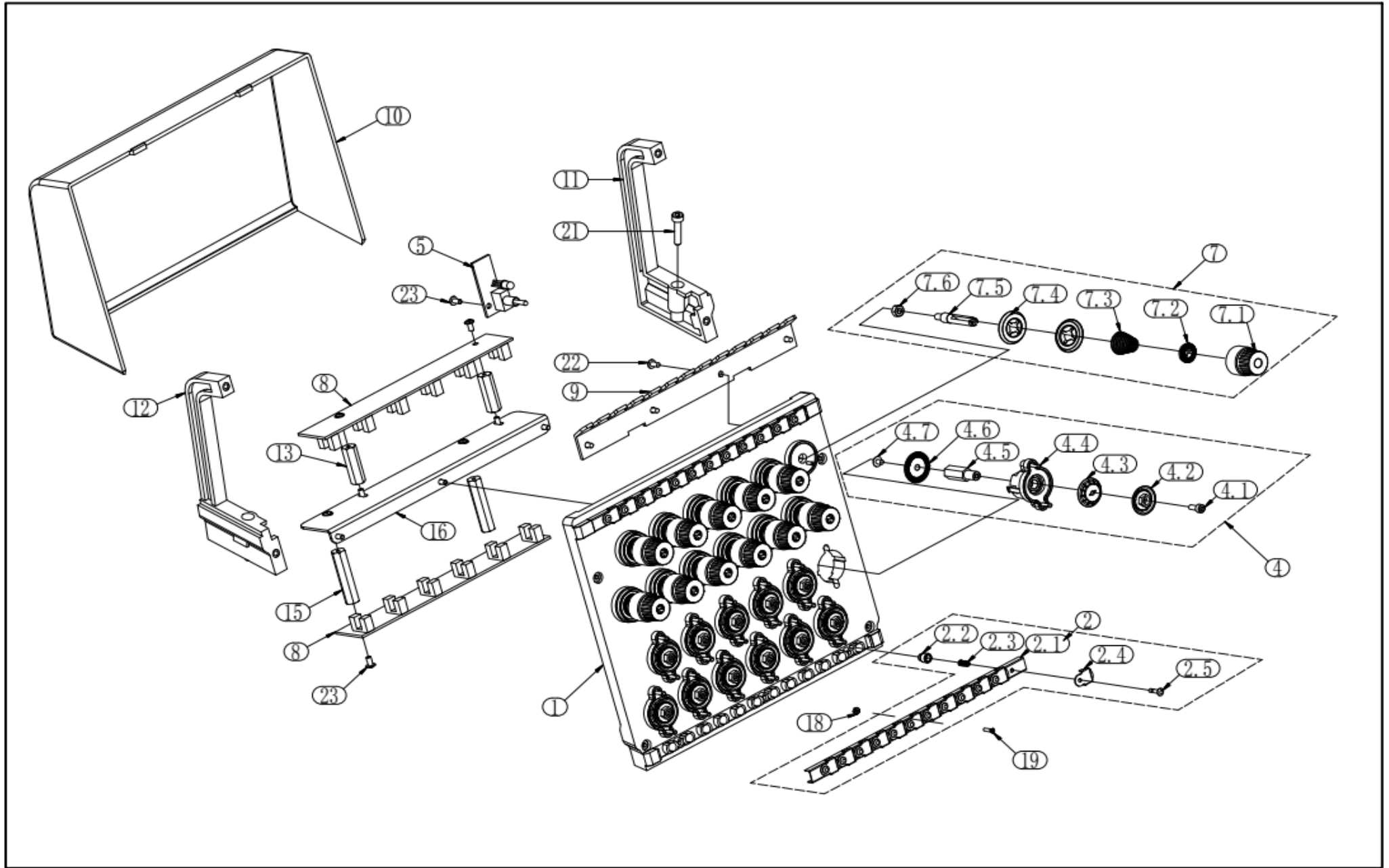
21141V1- Thread Tension Base – Wheel



21141V1- Thread Tension Base – Wheel

Drawing No.	Ref. No.	Part Name / Specification	Part No.	Drawing No.	Ref. No.	Part Name / Specification	Part No.
21141V1	1	Wire Guide Plate – Wheel 12	03144205	21141V1	15	Hexagon Prism -M3-38	80233315
21141V1	1	Wire Guide Plate – Wheel 15	03144305	21141V1	16	Optical Coupler Plate Bracket – 12 Needles	80233311
21141V1	2	Thread Guide Strap Module - 12	03144253	21141V1	16	Breakage Detection Bracket -H12-RJ	8045900101
21141V1	2	Thread Guide Strap Module - 15	03144353	21141V1	16	Optical Coupler Plate Bracket – 15 Needles	80233312
21141V1	4	Line Ball Wheel Module	03144252	21141V1	18	Nut M4 - Nickel Plated	80900428
21141V1	5	Switch Light	03140301	21141V1	19	Countersunk Philip’s Head Screws M2 X 8- Nickel Plated	80860208
21141V1	5	PCB Board – Wheel - CT-DH	8045100100	21141V1	21	Hex Socket Cap Screw M4x12 - Nickel Plated	80813412
21141V1	7	Adjusting Knob Module – Thread Tensioner	03144254	21141V1	22	Philip’s Head Screw M3x6- Nickel Plated	80746306
21141V1	7.1	Tightening Knob - Wheel	03144207	21141V1	23	Philip’s Head Screw M3X6 - Nickel Plated	80742306
21141V1	7.2	Lock Washer - Wheel	03144226	21141V1	8	Double 8 (15) Optical Coupler Plate - HLF302A	80233301
21141V1	7.3	Tension Spring - Wheel	03144209	21141V1	8	Single 7 (15) Optical Coupler Plate - HLF301A	80233302
21141V1	7.4	Pressure Sheet - Wheel	03144202	21141V1	8	Single 6 (12) Optical Coupler Plate - HLF301A	80233303
21141V1	7.5	Thread Tension Bolt - Wheel	03144208	21141V1	8	Double 6 (12) Optical Coupler Plate - HLF302A	80233304
21141V1	7.6	Nut M4 – Stainless Steel	80900428	21141V1	8	Breakage Detection Wheel – 12 Needles - A	8045090205
21141V1	9	Thread Guide Support Plate -12 Needles	03144210	21141V1	8	Breakage Detection Rod – 12 Needles - B	8045090206
21141V1	9	Thread Guide Support Plate – 15 Needles	03144310	21141V1	8	Breakage Detection Rod – 15 Needles - A	8045090207

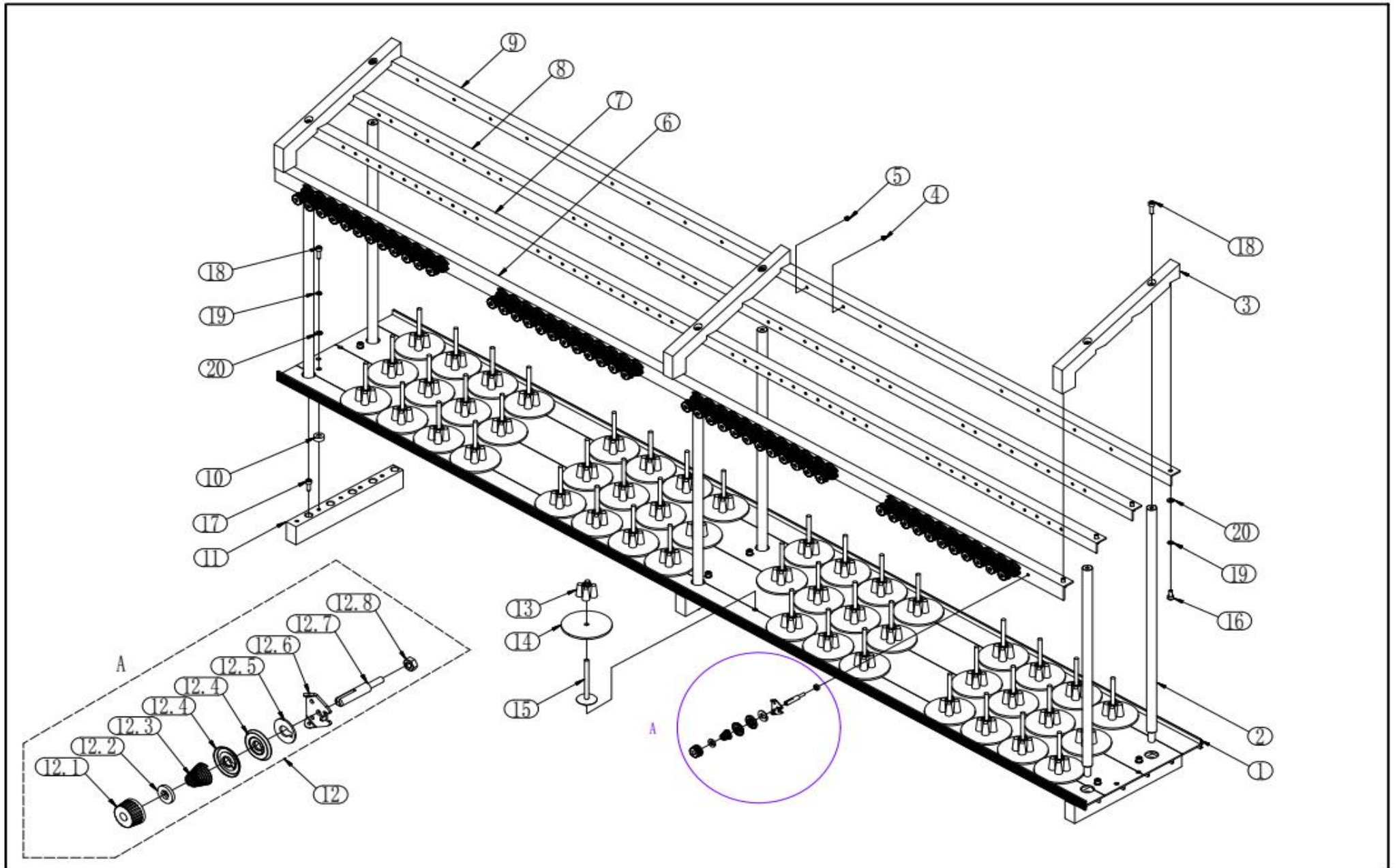
21141V1- Thread Tension Base – Wheel



21141V1- Thread Tension Base – Wheel

21141V1	10	Thread Guide Rear Cover – 12 Needles	03144212	21141V1	8	Breakage Detection Rod – 15 Needles - B	8045090208
21141V1	10	Thread Guide Rear Cover – 15 Needles	03144312				
21141V1	11	Left Bracket – Thread Tensioner	03144214				
21141V1	12	Right Bracket – Thread Tensioner	03144215				
21141V1	13	Hexagon Prism -M3-26.5	80233316				
21141V1	13	Breakage Detection Seat Slider -H-RJ	8045900103				

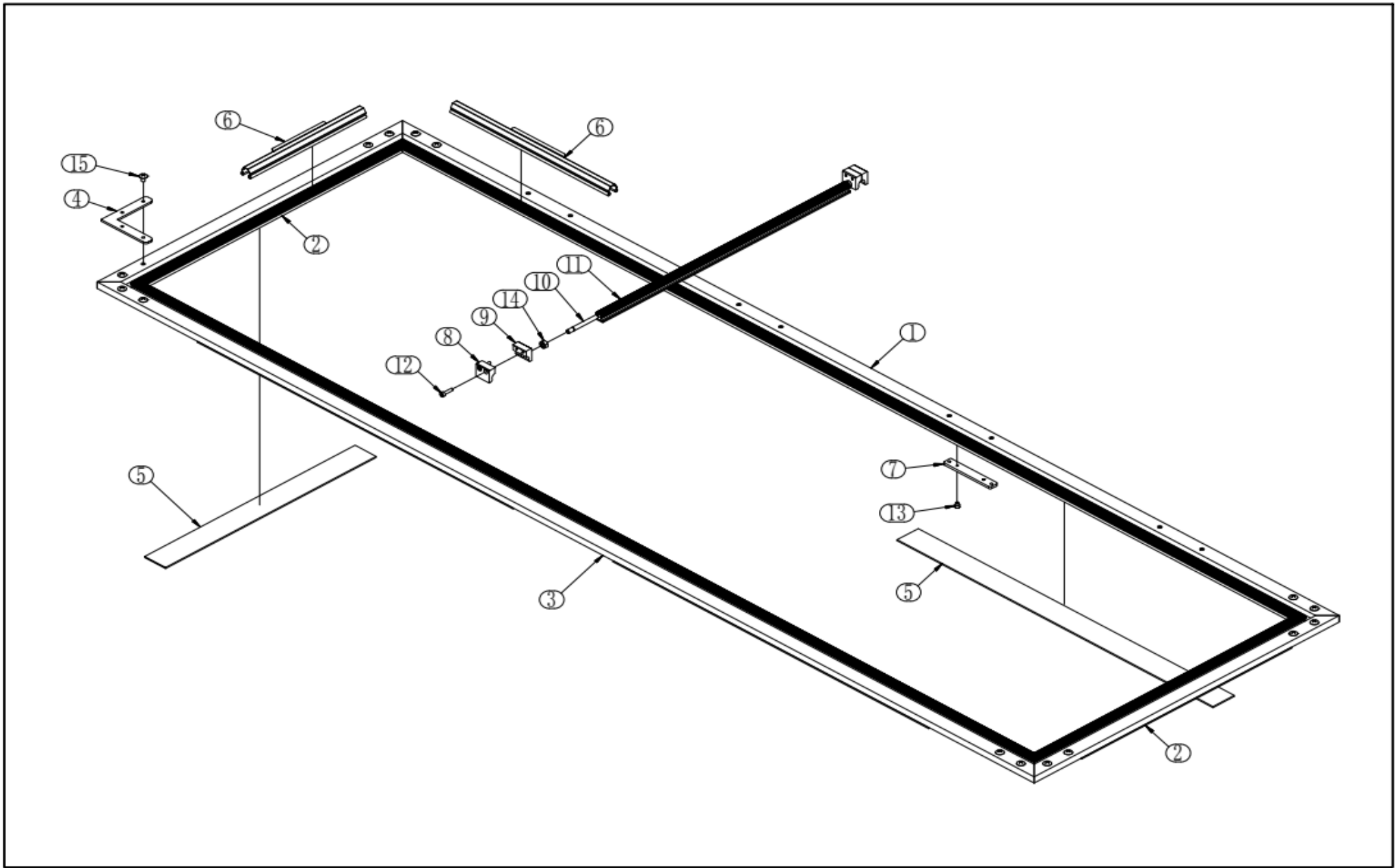
21150V1- Thread Stand



21150V1- Thread Stand

Drawing No.	Ref. No.	Part Name / Specification	Part No.	Drawing No.	Ref. No.	Part Name / Specification	Part No.
21150V1	1	Wire Coil	210121*****	21150V1	12.1	Thread Clamping Knob – Wheel	03144207
21150V1	2	Thread Stand Vertical Post - 350	01903101	21150V1	12.2	Lock Washer - Wheel	03144226
21150V1	2	Thread Stand Vertical Post - 400	01903102	21150V1	12.3	Tension Spring - Wheel	03144209
21150V1	3	Biax Thread Stand Beam - Plastic	01903111	21150V1	12.4	Rotary Bracket - Wheel	03144202
21150V1	3	Nine-Needle Oblique Beam	80211001	21150V1	12.5	Felt Pad – Thread Stand Knob	03141002
21150V1	4	Thread Stand Casing - White	80211005	21150V1	12.6	Thread Guide Plate - Wheel	03141001
21150V1	5	Thread Stand Casing - Red	80211006	21150V1	12.7	Clamp Wire Bolt - Wheel	03144208
21150V1	6-9	Complete Thread Stand	210131*****	21150V1	12.8	Nut M4 – Stainless Steel	80900428
21150V1	10	Wire Coil Rubber Mat	71020131	21150V1	13	Wire Coil Mat B5	80211007
21150V1	11	Wire Coil Cushion Block	01902108	21150V1	14	Spool Pin Sponge Mat	80211008
21150V1	12	Thread Stand Knob Module – Wheel Spring	80210520	21150V1	15	Spool Pin B25	80211009
21150V1	12.1	Small Clamp Thread Regulator	80210504	21150V1	16	Hex Socket Cap Screw M5x12 – Stainless Steel	80813512
21150V1	12.2	Locking Ring – Small Knob	80210515	21150V1	17	Hex Socket Cap Screw M5x18 - Black	80810518
21150V1	12.3	Small Clamp Wire Spring	80210516	21150V1	18	Hex Socket Cap Screw M5x12 – Stainless Steel	80813512
21150V1	12.4	Rotary Bracket	80210513	21150V1	19	Spring Washer M5 – Stainless Steel	80900318
21150V1	12.5	Felt Pad – Thread Stand Knob	03141002	21150V1	20	Washer M5 – Stainless Steel	80900508
21150V1	12.6	Wire Guide Plate – Wheel Spring	80210514				
21150V1	12.7	Clamp Wire Bolt – Wheel Spring	80210512				
21150V1	12.8	Nut M4 – Stainless Steel	80900428				
21150V1	12	Thread Stand Knob Module - Wheel	0314260				

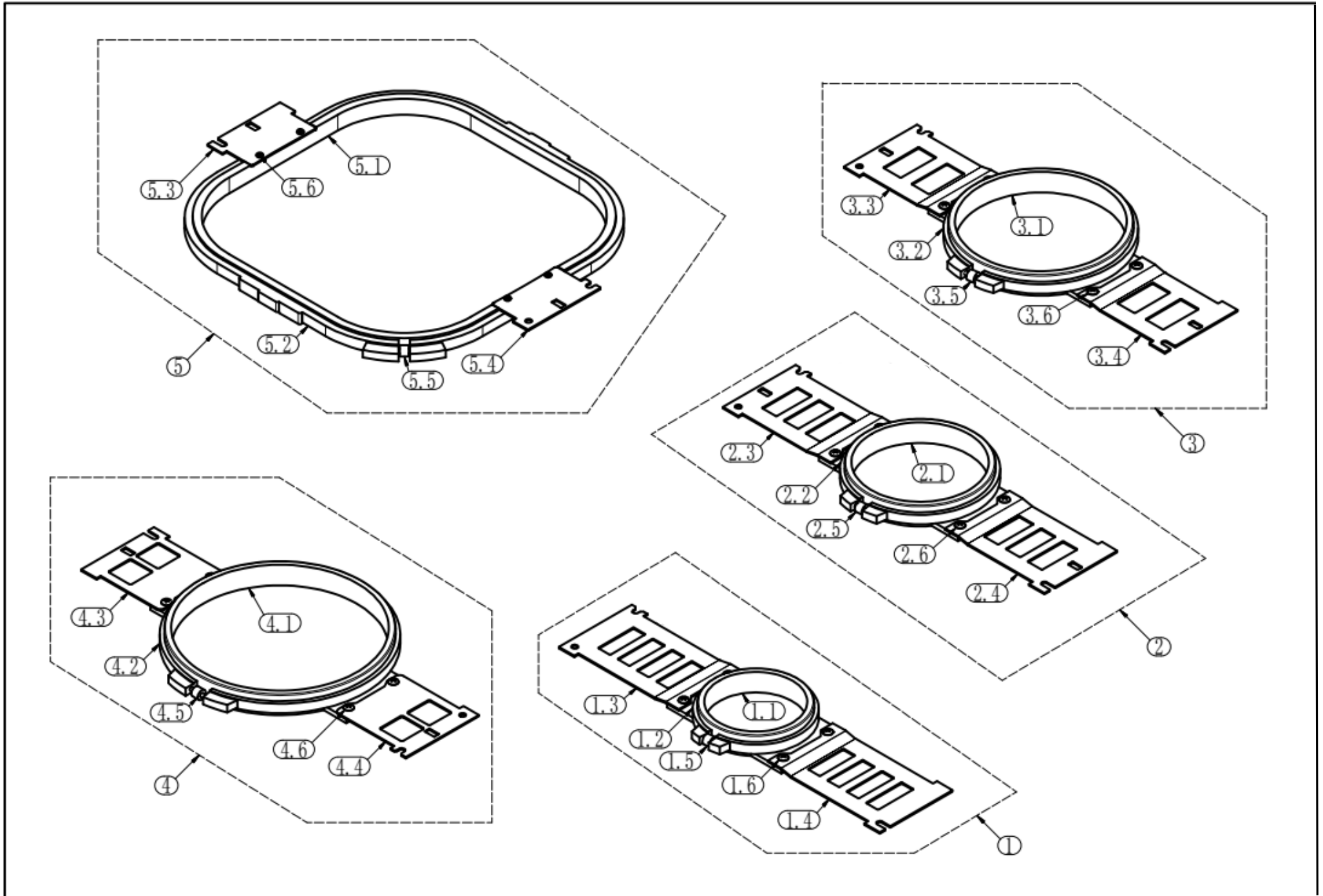
21160V1- Flat Frame



21160V1- Flat Frame

Drawing No.	Ref. No.	Part Name / Specification	Part No.		Drawing No.	Ref. No.	Part Name / Specification	Part No.
21160V1	1-3	Complete Flat Frame	210115*****					
21160V1	4	Right-Angled Rack – CT Flat Frame	02513010					
21160V1	5	Flat Frame Felt	71125115					
21160V1	6	Feed Collet -220	01505102					
21160V1	6	Feed Collet -300	01505101					
21160V1	7	Flat Frame Gasket	02513012					
21160V1	8-9-10	Chuck AB	02513004					
21160V1	11	Flat Frame Framework- Middle	02513003					
21160V1	12	Hex Socket Cap Screw M4x16 – Stainless Steel	80813416					
21160V1	13	Hex Socket Cap Screw M4x8 - Black	80810408					
21160V1	14	Nut M6 – Stainless Steel	80900628					
21160V1	15	Philip’s Head Screw M5x12- Stainless Steel	80746512					

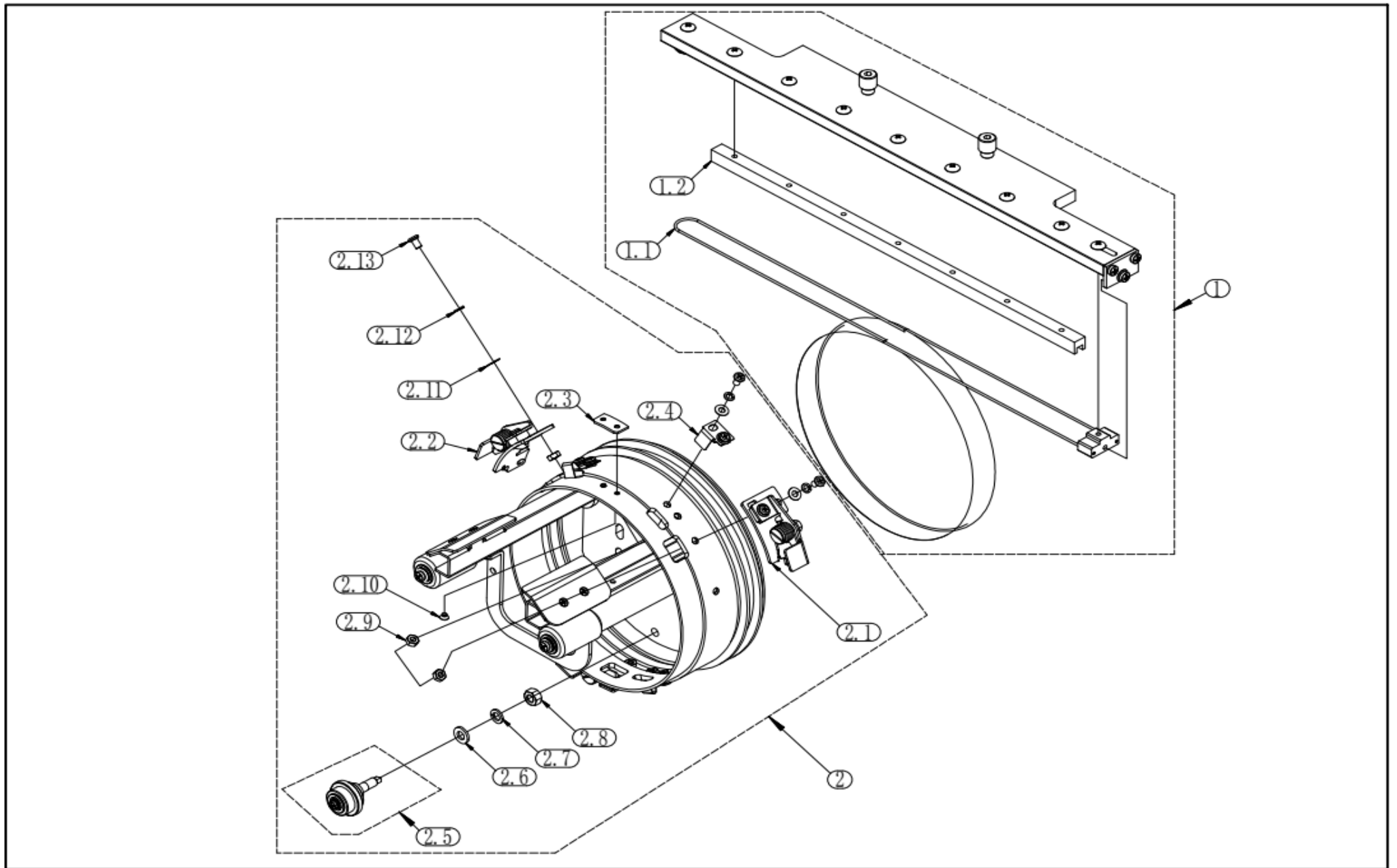
21170V1- Clothing Frame



21170V1- Clothing Frame

Drawing No.	Ref. No.	Part Name / Specification	Part No.		Drawing No.	Ref. No.	Part Name / Specification	Part No.
21170V1	1	Clothing Frame - 90	02540281CA		21170V1	4	Clothing Frame -190	02540581CA
21170V1	1.1	Surface Plate -Right- 90	02540204		21170V1	4.1	Surface Plate – Right- 190	02540504
21170V1	1.2	Surface Plate - Left- 90	02540205		21170V1	4.2	Surface Plate- Left- 190	02540505
21170V1	1.3	Innder Frame - 90	02540201		21170V1	4.3	Frame Inside -190	02540501
21170V1	1.4	Outer Framee- 90	02540202		21170V1	4.4	Frame Outside -190	02540502
21170V1	2	Clothing Frame -120	02540381CA		21170V1	5	Clothing Frame -290	02540681CA
21170V1	2.1	Surface Plate - Right- 120	02540304		21170V1	5.1	Surface Plate – Right -290	02540604
21170V1	2.2	Surface Plate- Left - 120	02540305		21170V1	5.2	Surface Plate-Left - 290	02540605
21170V1	2.3	Frame Inside -120	02540301		21170V1	5.3	Frame Inside -290	02540601
21170V1	2.4	Frame Outside -120	02540302		21170V1	5.4	Frame Outside -290	02540602
21170V1	3	Clothing Frame -150	02540481CA		21170V1	5.5	M4×6 Philip’s Head Screw - Nickel Plated	80746406
21170V1	3.1	Surface Plate – Right - 150	02540404		21170V1		Clothing Frame -400	02540781
21170V1	3.2	Surface Plate-Left - 150	02540405		21170V1		Clothing Frame -395x315	02540881
21170V1	3.3	Frame Inside -150	02540401		21170V1	1.5、 2.5、 3.5、 4.5	Tightening Bolts -	02540105
21170V1	3.4	Frame Outside -150	02540402		21170V1	1.6、 2.6、 3.6、 4.6	M3×6T Half-Round Head Philip’s Head Screw - Nickel Plated	80742306

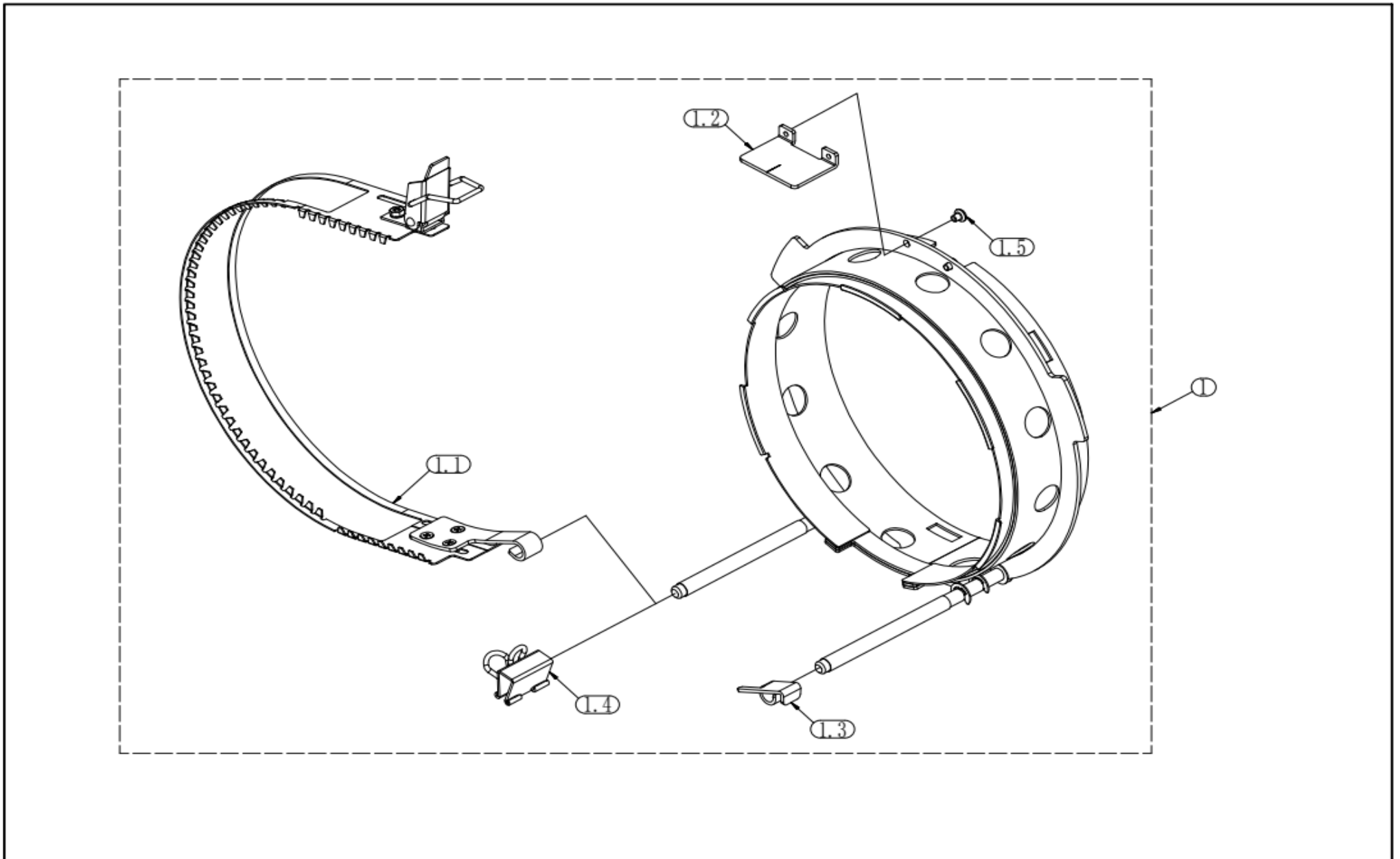
21180V1- Cap Frame - Cap Driver



21180V1- Cap Frame - Cap Driver

Drawing No.	Ref. No.	Part Name / Specification	Part No.	Drawing No.	Ref. No.	Part Name / Specification	Part No.
21180V1	1	Hat Rack Drive Component -C-T400	02815041	21180V1	2.6	Washer M8 - Nickel Plated	80900808
21180V1	1	Hat Rack Drive Component -C-T500	02815044	21180V1	2.7	Spring Washer M8 - Nickel Plated	80900818
21180V1	1.1	Hat Rack Steel Wire - C-T400	02815051	21180V1	2.8	Nut M8- Nickel Plated	80900828
21180V1	1.1	Hat Rack Steel Wire - C-T500	02815054	21180V1	2.9	Nut M3- Nickel Plated	80900328
21180V1	1.2	Hat Rack Guide Strip -C-T400	02815046	21180V1	2.10	Countersunk Philip's Head Screws M3 X 6-Zinc Plated	80860306
21180V1	1.2	Hat Rack Guide Strip - C-T500	02815049	21180V1	2.11	Washer M4 - Nickel Plated	80900408
21180V1	2	Hat Rack – Small Rotary Hook Base	02815081	21180V1	2.12	Spring Washer M4 - Nickel Plated	80900418
21180V1	2.1	Clamp Head Pedestal A	02810270	21180V1	2.13	Philip's Head Screw M4x6- Nickel Plated	80746406
21180V1	2.2	Clamp Head Pedestal B	02810271				
21180V1	2.3	Locating Fixture Block	02810204				
21180V1	2.4	Limit Shrapnel	02810205				
21180V1	2.5	Hat Rack Idler Wheel Assembly	02810161				

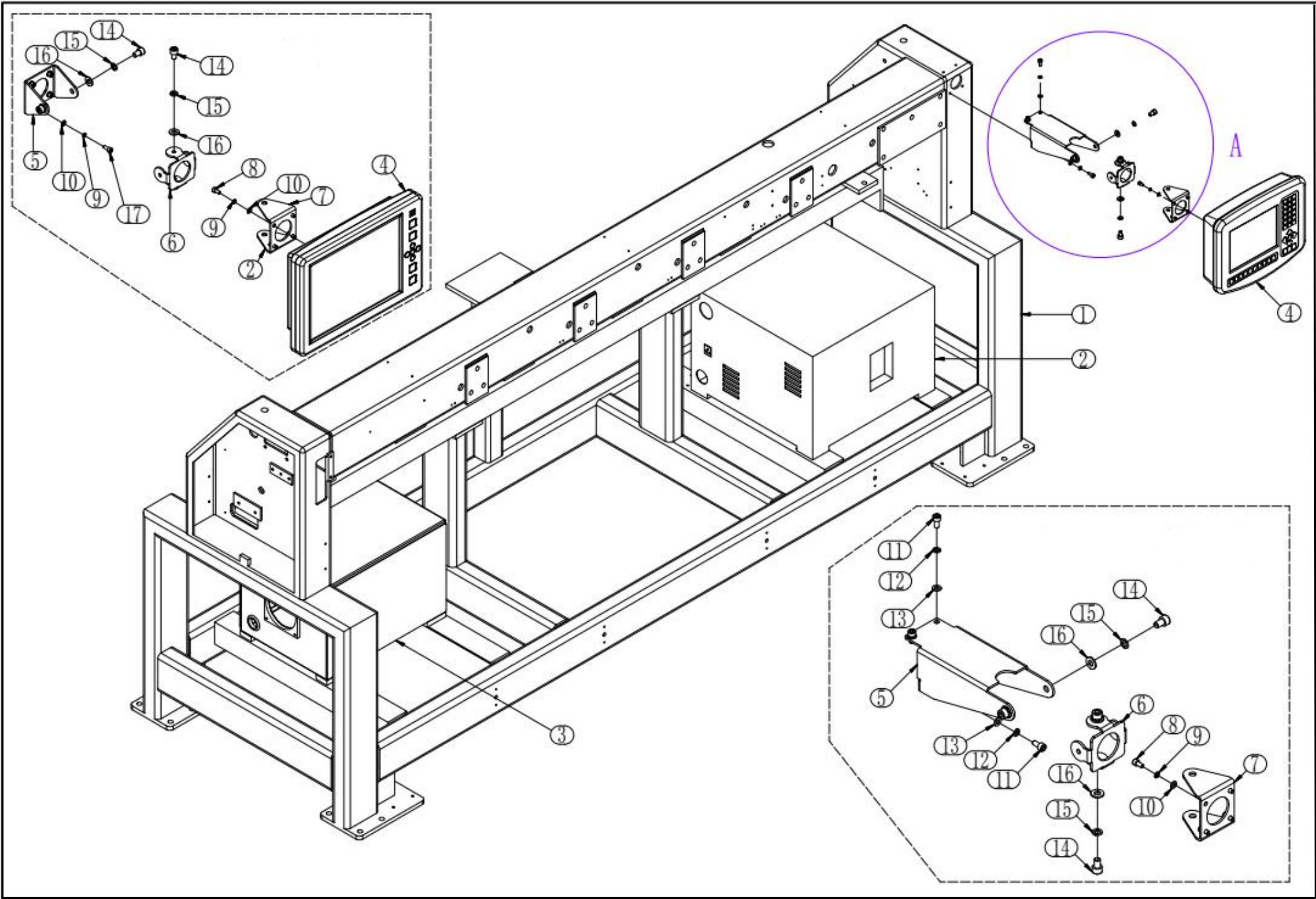
21190V1- Cap Ring



21190V1- Cap Ring

Drawing No.	Ref. No.	Part Name / Specification	Part No.		Drawing No.	Ref. No.	Part Name / Specification	Part No.
21190V1	1	Hat Grid Ring Parts -360	02811080					
21190V1	1.1	Hat Strapping Rod	02811082					
21190V1	1.2	Locating Block	02811006					
21190V1	1.3	Tapered End Hook	02811019					
21190V1	1.4	Clamp Module - Cap Frame	02811055					
21190V1	1.5	Philip's Head Screw M3x3- Nickel Plated	80744303					

21200V1- Electrical Part



21200V1-Electrical Part

Drawing No.	Ref. No.	Part Name / Specification	Part No.	Drawing No.	Ref. No.	Part Name / Specification	Part No.
21200V1	2	Main Control Box	802302**	21200V1		Decoder Board CT12/15 Needles	8045070100
21200V1	3	Drive Box	804501****	21200V1		Arm Plate – Wheel – 12/15 Needles	8045080201
21200V1	4	Operation pane full set -528	80230501	21200V1	8	Hex Socket Cap Screw M5x10 - Nickel Plated	80813510
21200V1	4	Operation panel ST10-D-1	8045021101	21200V1	8	Hex Socket Cap Screw M4x10 - Nickel Plated	80813410
21200V1	5	Bracket A	02720135	21200V1	9	Spring Washer M5 - Nickel Plated	80900518
21200V1	6	Bracket B	02720132	21200V1	9	Spring Washer M4 - Nickel Plated	80900418
21200V1	7	Bracket - Small	02720131	21200V1	10	Washer M5 - Nickel Plated	80900508
21200V1	7	Bracket - Large	02720130	21200V1	10	Washer M 4 - Nickel Plated	80900408
21200V1		Mounting Plate of Switching Power Supply	80231131	21200V1	11	Hex Socket Cap Screw M6x14 - Nickel Plated	80813614
21200V1		Switching Power Supply -S-350	80231932	21200V1	12	Spring Washer M6 - Nickel Plated	80900618
21200V1		Decoder Board EF119A	80232201	21200V1	13	平垫片 M6-镀镍 Washer M6 - Nickel Plated	80900608
21200V1		Decoder Board EF119C	80232202	21200V1	14	Hex Socket Cap Screw M8x18- Nickel Plated	80813818
21200V1		TB Detection board - HC0402	80233305	21200V1	15	Spring Washer M8 - Nickel Plated	80900818
21200V1		Mainboard ST10-99-MB12B	8045030100	21200V1	16	Washer M8 - Nickel Plated	80900808
21200V1		Multifunction Board – V8	8045060100	21200V1	17	Hex Socket Cap Screw M5x14- Nickel Plated	80813514



Copyright © RiCOMA(Shenzhen) Co.,Ltd.All rights reserved.